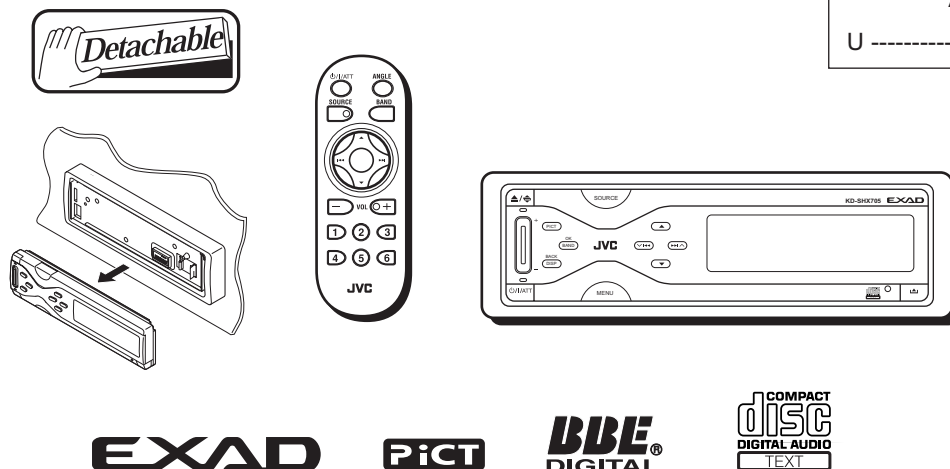


JVC

SERVICE MANUAL

CD RECEIVER

KD-SHX705



Area suffix
U ----- Other Areas

TABLE OF CONTENTS

1	PRECAUTIONS	1-3
2	SPECIFIC SERVICE INSTRUCTIONS	1-6
3	DISASSEMBLY	1-7
4	ADJUSTMENT	1-22
5	TROUBLESHOOTING	1-32

SPECIFICATION

AUDIO AMPLIFIER SECTION

Maximum Power Output	Front	50 W per channel
	Rear	50 W per channel
Continuous Power Output (RMS)	Front	19 W per channel into 4 Ω , 40 Hz to 20 000 Hz at no more than 0.8% total harmonic distortion.
	Rear	19 W per channel into 4 Ω , 40 Hz to 20 000 Hz at no more than 0.8% total harmonic distortion.
Load Impedance		4 Ω (4 Ω to 8 Ω allowance)
Equalizer Control Range	Frequencies	60 Hz, 150 Hz, 400 Hz, 1 kHz, 2.4 kHz, 6 kHz, 12 kHz
	Level	± 10 dB
Frequency Response		40 Hz to 20 000 Hz
Signal-to-Noise Ratio		70 dB
Line-In Level/Impedance	LINE IN	1.5 V/20 k Ω load
Line-Out Level/Impedance		5.0 V/20 k Ω load (full scale)
Output Impedance		1 k Ω
Other Terminals		SUBWOOFER OUT
		Changer control

TUNER SECTION

Frequency Range	FM	87.5 MHz to 108.0 MHz
	AM	531 kHz to 1 602 kHz
[FM Tuner]	Usable Sensitivity	11.3 dBf (1.0 μ V/75 Ω)
	50 dB Quieting Sensitivity	16.3 dBf (1.8 μ V/75 Ω)
	Alternate Channel Selectivity (400 kHz)	65 dB
	Frequency Response	40 Hz to 15 000 Hz
	Stereo Separation	35 dB
	Capture Ratio	1.5 dB
[AM Tuner]	Sensitivity	20 μ V
	Selectivity	65 dB

CD PLAYER SECTION

Type		Compact disc player
Signal Detection System		Non-contact optical pickup (semiconductor laser)
Number of channels		2 channels (stereo)
Frequency Response		5 Hz to 20 000 Hz
Dynamic Range		98 dB
Signal-to-Noise Ratio		102 dB
Wow and Flutter		Less than measurable limit
MP3 (MPEG Audio Layer 3)	Max. Bit rate	320 Kbps
WMA (Windows Media Audio)	Max. Bit rate	192 Kbps


GENERAL


Power Requirement	Operating Voltage	DC 14.4 V (11 V to 16 V allowance)
Grounding System		Negative ground
Allowable Operating Temperature		0°C to +40°C (32°F to 104°F)
Dimensions (W \times H \times D)	Installation Size	182 mm \times 52 mm \times 157 mm
	Panel Size	188 mm \times 58 mm \times 13 mm
Mass		1.7 kg (excluding accessories)

Design and specifications are subject to change without notice.

SECTION 1 PRECAUTIONS

1.1 Safety Precautions

 **CAUTION** Burrs formed during molding may be left over on some parts of the chassis. Therefore, pay attention to such burrs in the case of performing repair of this system.

 **CAUTION** Please use enough caution not to see the beam directly or touch it in case of an adjustment or operation check.

1.2 Preventing static electricity

Electrostatic discharge (ESD), which occurs when static electricity stored in the body, fabric, etc. is discharged, can destroy the laser diode in the traverse unit (optical pickup). Take care to prevent this when performing repairs.

1.2.1 Grounding to prevent damage by static electricity

Static electricity in the work area can destroy the optical pickup (laser diode) in devices such as CD players.

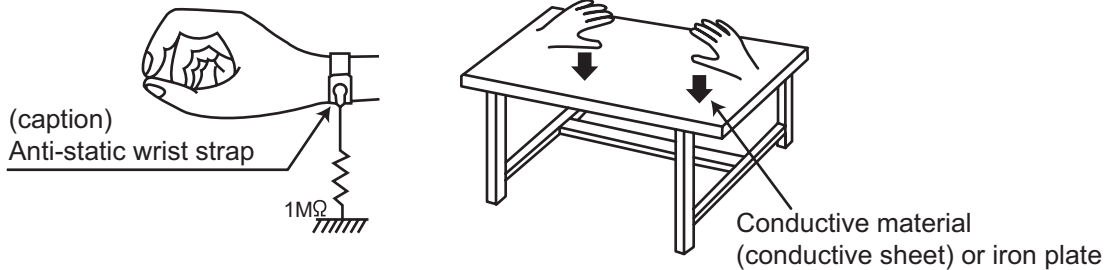
Be careful to use proper grounding in the area where repairs are being performed.

(1) Ground the workbench

Ground the workbench by laying conductive material (such as a conductive sheet) or an iron plate over it before placing the traverse unit (optical pickup) on it.

(2) Ground yourself

Use an anti-static wrist strap to release any static electricity built up in your body.



(3) Handling the optical pickup

- In order to maintain quality during transport and before installation, both sides of the laser diode on the replacement optical pickup are shorted. After replacement, return the shorted parts to their original condition. (Refer to the text.)
- Do not use a tester to check the condition of the laser diode in the optical pickup. The tester's internal power source can easily destroy the laser diode.

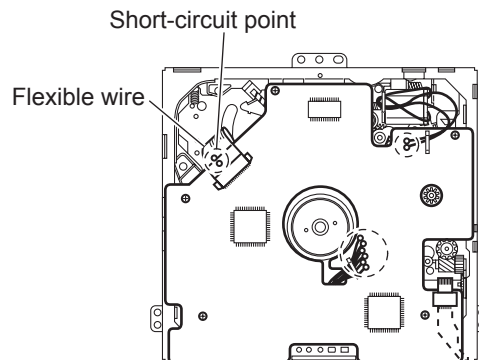
1.3 Handling the traverse unit (optical pickup)

- (1) Do not subject the traverse unit (optical pickup) to strong shocks, as it is a sensitive, complex unit.
- (2) Cut off the shorted part of the flexible cable using nippers, etc. after replacing the optical pickup. For specific details, refer to the replacement procedure in the text. Remove the anti-static pin when replacing the traverse unit. Be careful not to take too long a time when attaching it to the connector.
- (3) Handle the flexible cable carefully as it may break when subjected to strong force.
- (4) It is not possible to adjust the semi-fixed resistor that adjusts the laser power. Do not turn it.

1.4 Attention when traverse unit is decomposed

***Please refer to "Disassembly method" in the text for the CD pickup unit.**

- Apply solder to the short land before the flexible wire is disconnected from the connector on the CD pickup unit. (If the flexible wire is disconnected without applying solder, the CD pickup may be destroyed by static electricity.)
- In the assembly, be sure to remove solder from the short land after connecting the flexible wire.



1.5 Important for laser products

1.CLASS 1 LASER PRODUCT


2.DANGER : Invisible laser radiation when open and interlock failed or defeated. Avoid direct exposure to beam.

3.CAUTION : There are no serviceable parts inside the Laser Unit. Do not disassemble the Laser Unit. Replace the complete Laser Unit if it malfunctions.

4.CAUTION : The CD,MD and DVD player uses invisible laser radiation and is equipped with safety switches which prevent emission of radiation when the drawer is open and the safety interlocks have failed or are defeated. It is dangerous to defeat the safety switches.

5.CAUTION : If safety switches malfunction, the laser is able to function.

6.CAUTION : Use of controls, adjustments or performance of procedures other than those specified here in may result in hazardous radiation exposure.

 **CAUTION** Please use enough caution not to see the beam directly or touch it in case of an adjustment or operation check.

CAUTION : Visible and invisible laser radiation when open and interlock failed or defeated.
AVOID DIRECT EXPOSURE TO BEAM.

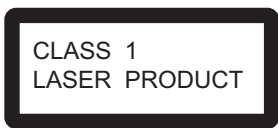
ADVARSEL : Synlig og usynlig laserstråling når maskinen er åben eller interlocken fejler. Undgå direkte eksponering til stråling.

VARNING : Synlig och osynlig laserstråling när den öppnas och spärren är urkopplad. Betrakta ej strålen.

VARO : Avattaessa ja suojalukitus ohitettuna tai viallisena olet alltiina näkyvälle ja näkymättömälle lasersäteilylle. Vältä säteen kohdistumista suoraan itseesi.

REPRODUCTION AND POSITION OF LABELS

WARNING LABEL



CAUTION : Visible and Invisible laser radiation when open and interlock failed or defeated. AVOID DIRECT EXPOSURE TO BEAM. (e)	ADVARSEL : Synlig og usynlig laserstråling når maskinen er åben eller interlocken fejler. Undgå direkte eksponering til stråling. (d)	VARNING : Synlig och osynlig laserstråling när den öppnas och spärren är urkopplad. Betrakta ej strålen. (s)	VARO : Avattaessa ja suojalukitus ohitettuna tai viallisena olet alltiina näkyvälle ja näkymättömälle lasersäteilylle. Vältä säteen kohdistumista suoraan itseesi. (f)
---	--	---	---

SECTION 2 SPECIFIC SERVICE INSTRUCTIONS

This service manual does not describe SPECIFIC SERVICE INSTRUCTIONS.

SECTION 3 DISASSEMBLY

3.1 Main body section

3.1.1 Removing the front panel assembly (See Fig.1)

- (1) Push the detach button in the lower right part of the front panel assembly.
- (2) Remove the front panel assembly.

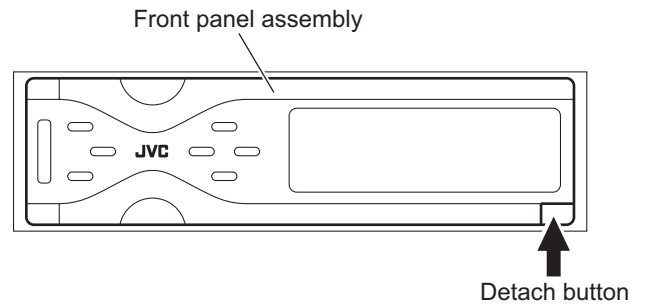


Fig.1

3.1.2 Removing the heat sink (See Fig.2)

- (1) From the left side of the main body, remove the two screws **A** and three screws **B** attaching the heat sink.

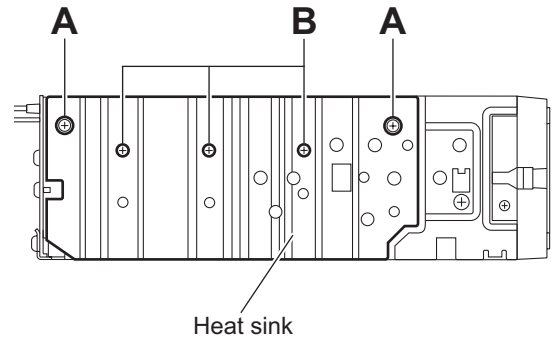


Fig.2

3.1.3 Removing the top chassis assembly (See Figs.3 to 6)

- Prior to performing the following procedures, remove the heat sink.

Reference:

Remove the front panel assembly as required.

- (1) From the bottom side of the main body, remove the two screws **C** attaching the top chassis assembly to the bottom chassis assembly. (See Fig.3)
- (2) From the both and rear sides of the main body, remove the four screws **D** attaching the top chassis assembly to the bottom chassis assembly. (See Figs.4 to 6)
- (3) Lift the top chassis assembly in the direction of the arrow, and disconnect the connector [CN501](#) on the mechanism control board from the connector [CN702](#) on the main board. (See Figs.5 and 6)
- (4) Take out the top chassis assembly from the bottom chassis assembly.

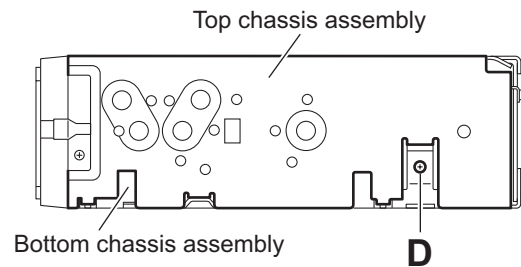
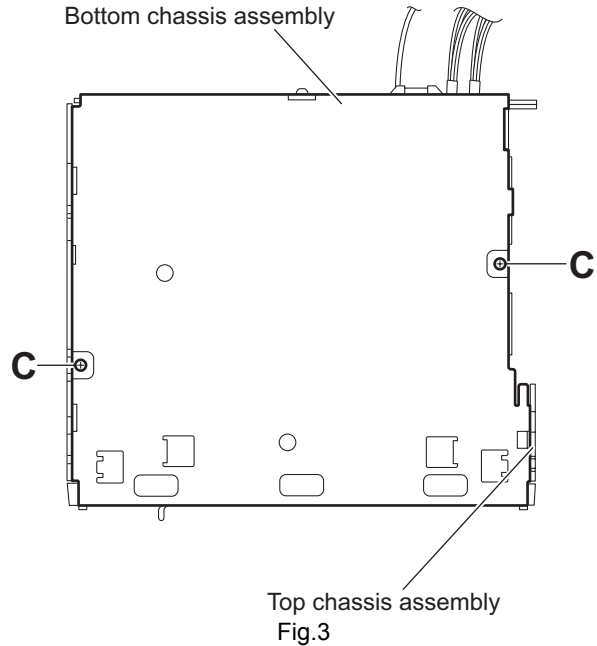


Fig.4

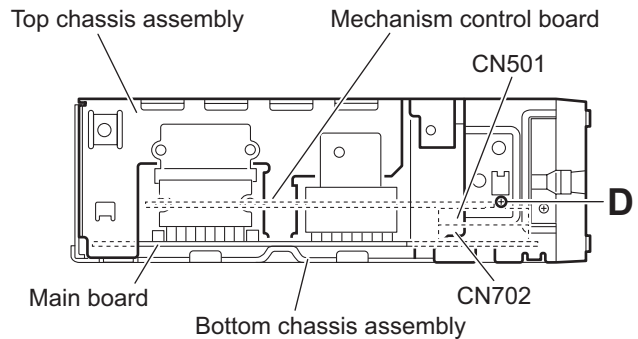


Fig.5

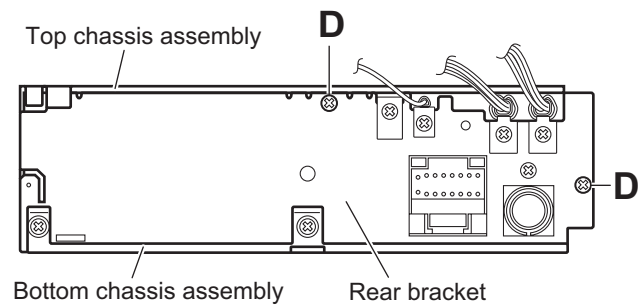


Fig.6

3.1.4 Removing the front chassis (See Figs.7 and 8)

- Prior to performing the following procedure, remove the front panel assembly, heat sink and top chassis assembly.
(1) From the both sides of the top chassis assembly, remove the two screws **E** attaching the front chassis.

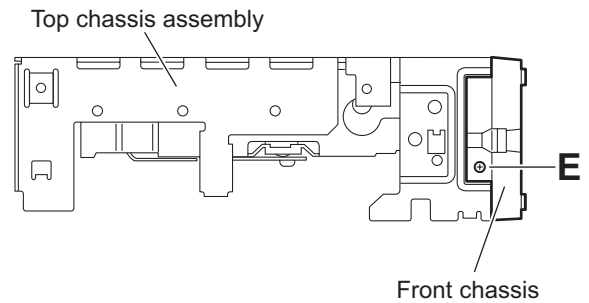


Fig.7

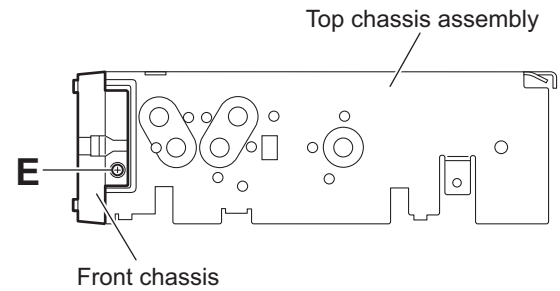


Fig.8

3.1.5 Removing the CD mechanism assembly (See Fig.9)

- Prior to performing the following procedures, remove the front panel assembly, heat sink and top chassis assembly.
(1) From the inside of the top chassis assembly, remove the three screws **F** attaching the CD mechanism assembly.
(2) Take out the CD mechanism assembly from the top chassis.

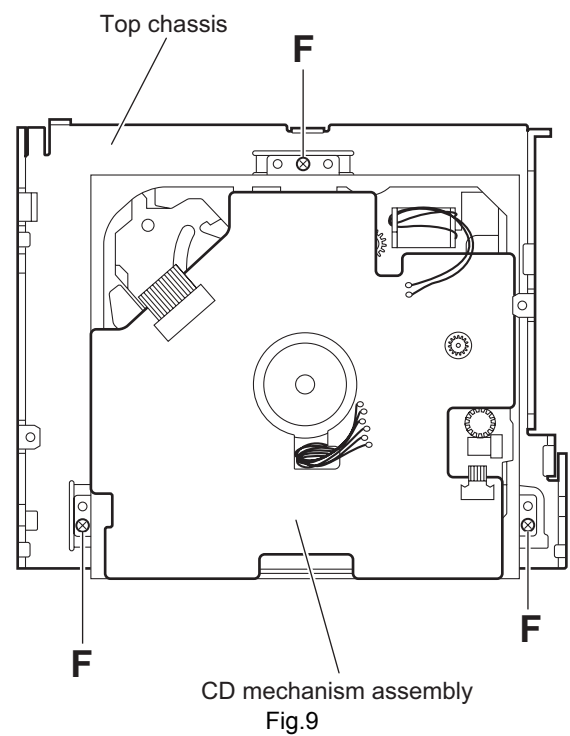


Fig.9

3.1.6 Removing the main board (See Figs.10 and 11)

- Prior to performing the following procedures, remove the front panel assembly, heat sink and top chassis assembly.
 - (1) From the rear side of the bottom chassis assembly, remove the two screws **G** attaching the rear bracket to the bottom chassis assembly. (See Fig.10)
 - (2) From the top side of the bottom chassis assembly, remove the two screws **H** attaching the main board to the bottom chassis assembly. (See Fig.11)
 - (3) Release the stopper of the connector **CN701** on the main board in an upward direction, disconnect the card wire from the connector **CN701**. (See Fig.11)
 - (4) Disconnect the wire from the connector of the front door mechanism assembly. (See Fig.11)
 - (5) Disconnect the wire from the connectors **CN991** and **CN992** on the main board. (See Fig.11)

Reference:

After connecting the wires, fix the wires with the wire holders.

- (6) Take out the main board from the bottom chassis assembly.

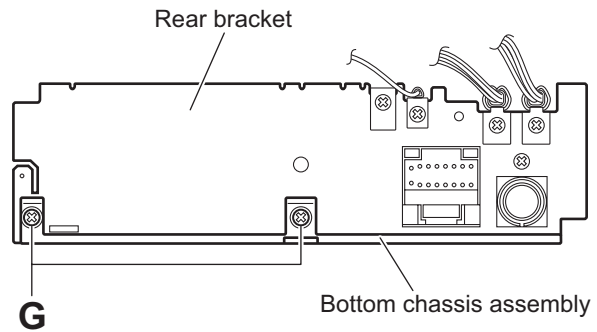


Fig.10

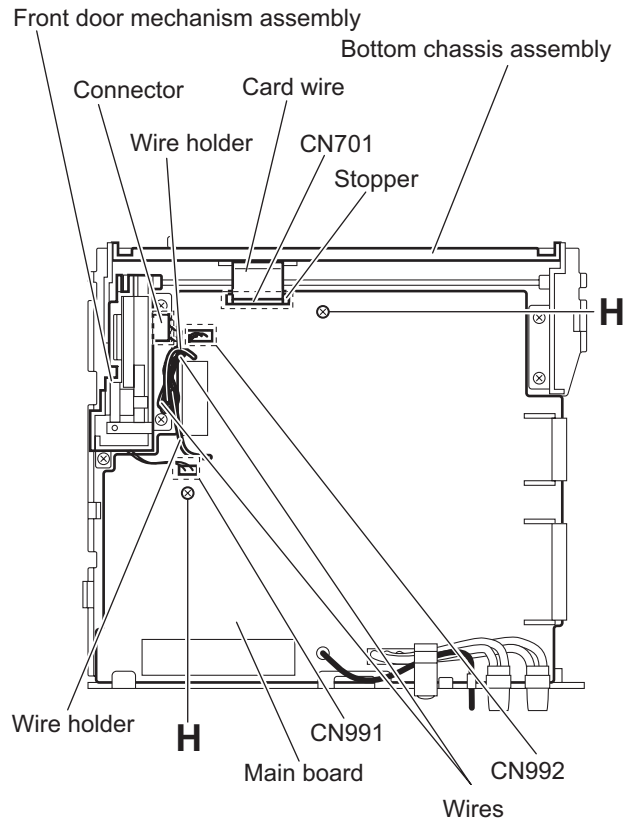


Fig.11

3.1.7 Removing the rear bracket (See Fig.12)

- Prior to performing the following procedures, remove the front panel assembly, heat sink, top chassis assembly and main board.
 - (1) From the rear side of the main board, remove the wires from the rear bracket in the direction of the arrow.
 - (2) Remove the four screws **J** attaching the rear bracket to the main board.

Reference:

After attaching the rear bracket to the main board, pass the wires through the wire holder and insert them into the slots of the rear bracket.

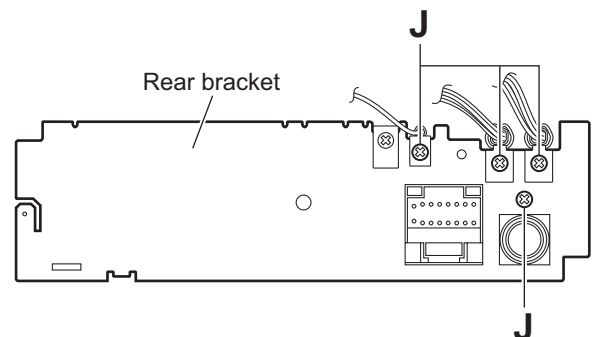


Fig.12

3.1.8 Removing the front door mechanism assembly (See Fig.13)

- Prior to performing the following procedures, remove the front panel assembly, heat sink, top chassis assembly and main board.

- (1) From the top side of the bottom chassis assembly, remove the screw **K** attaching the shaft holder to the bottom chassis.
- (2) Remove the five screws **L** attaching the front door mechanism assembly to the bottom chassis.

Reference:

When attaching the screws **M** and **N**, apply a locking agent them.

- (3) Take out the front door mechanism assembly from the bottom chassis.

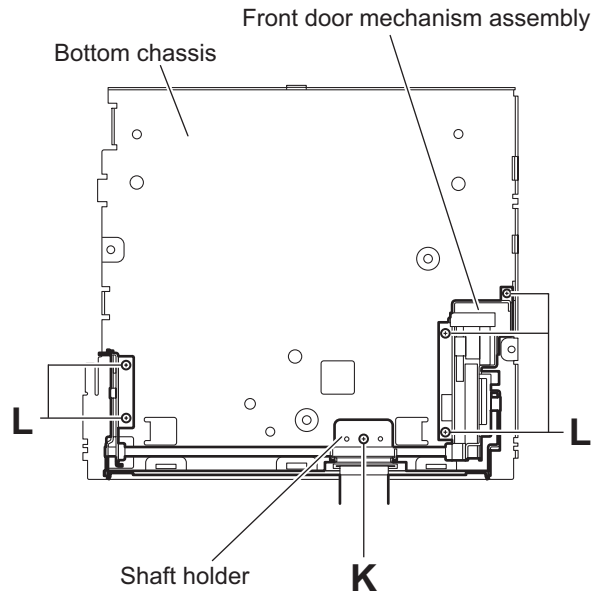


Fig.13

3.1.9 Removing the front board (See Figs.14 to 16)

- Prior to performing the following procedures, remove the front panel assembly.

- (1) From the rear side of the front panel assembly, remove the six screws **M** attaching the rear cover assembly to the front panel assembly. (See Fig.14)
- (2) Release the twelve joints **a** of the front panel assembly and remove the rear cover assembly. (See Fig.15)
- (3) Take out the front board from the front panel assembly. (See Fig.16)

Caution:

Take care not to lose the spring.

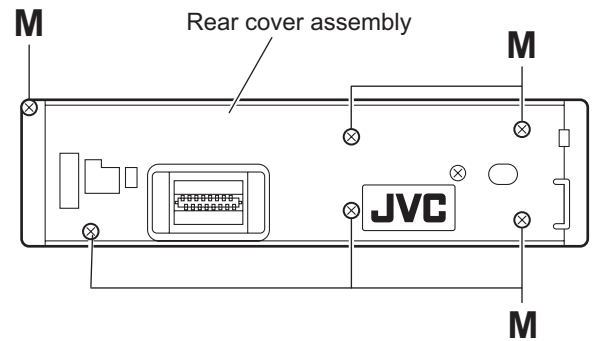


Fig.14

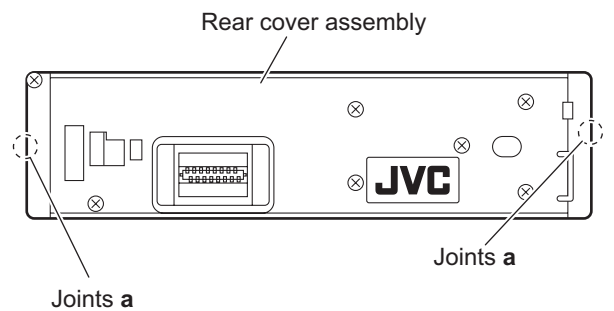


Fig.15

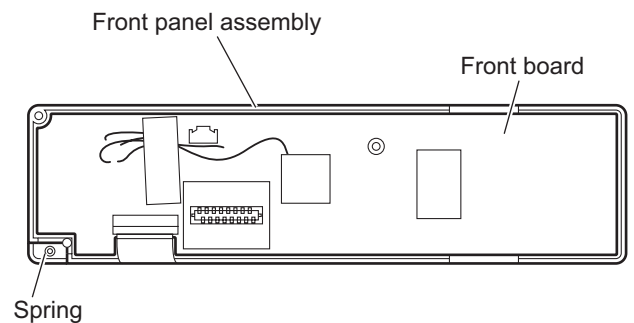


Fig.16

3.2 CD mechanism assembly

- Prior to performing the following procedure "Removing the CD mechanism assembly".

3.2.1 Removing the front-end board

(See Fig.1)

- (1) From the top side of the CD mechanism assembly, solder the short-circuit point on the flexible wire extending from the CD pickup.

Caution:

Solder the short-circuit points on the flexible wire extending from the DVD pickup. If you do not follow this instruction, the DVD pickup may be damaged.

- (2) Disconnect the flexible wire from connector [CN601](#) on the front-end board.
- (3) Disconnect the flexible wire from connector [CN503](#) on the front-end board.
- (4) Remove the solders from two solder points **a** on the front-end board and disconnect the wire extending from the feed motor.
- (5) Remove the solders from six solder points **b** on the front-end board disconnect the wires extending from the spindle motor, SW board and reset SW board.
- (6) Remove the five screws **A** attaching the front-end board.

Caution:

Unsolder the solders from the short-circuit points after reassembling.

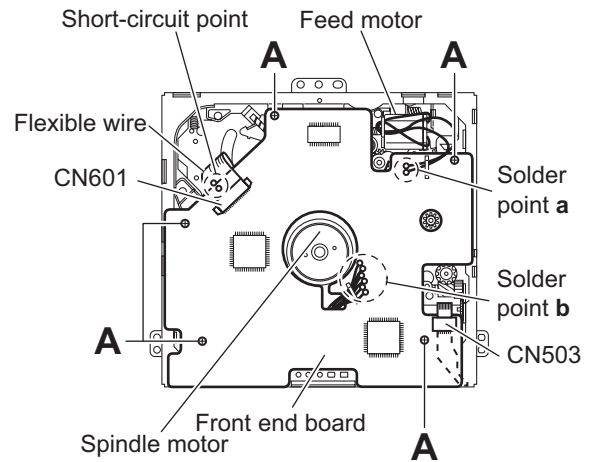


Fig.1

3.2.2 Removing the top cover

(See Fig.2)

- (1) From the back side of the CD mechanism assembly, remove the two screws **B** attaching the top cover.
- (2) Take out the top cover upward.

Reference:

When reassembling the top cover, set parts **c** of the top cover under the bending parts **d** of the chassis base.

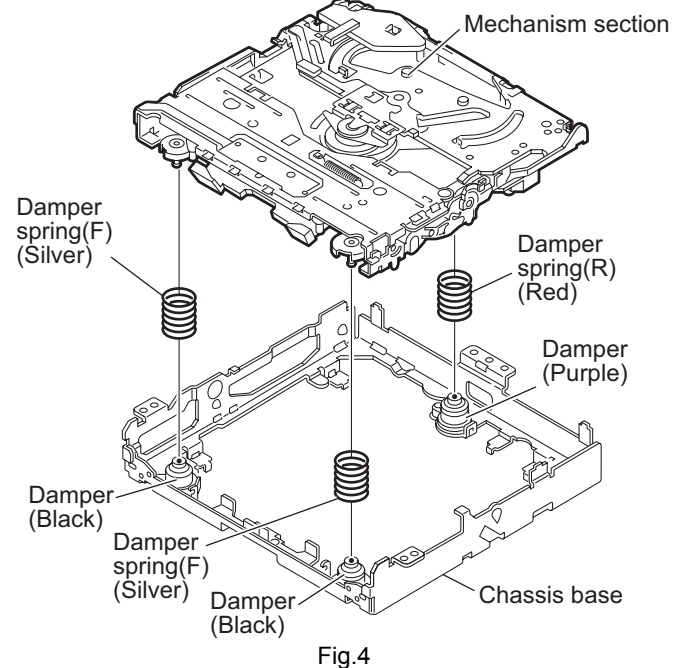
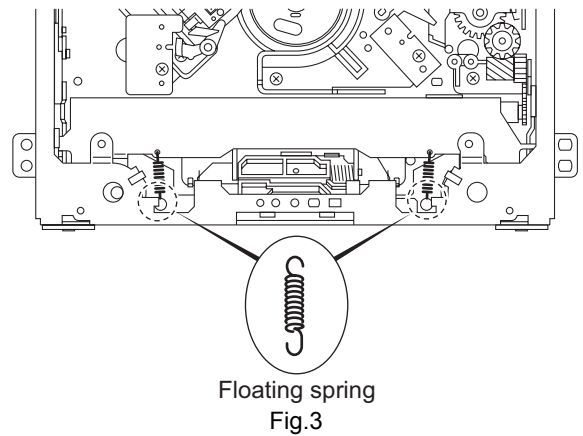
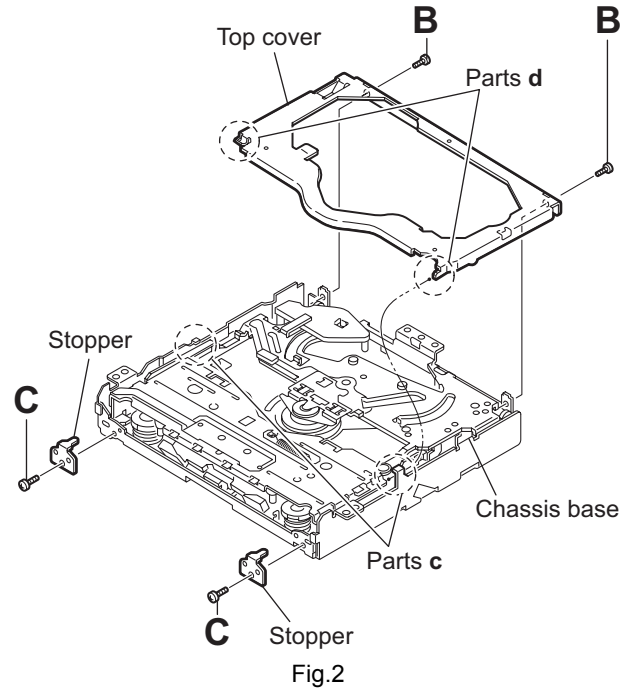
3.2.3 Removing the mechanism section

(See Figs.2 to 4)

- Prior to performing the following procedure, remove the top cover.
 - (1) From the front side of the CD mechanism assembly, remove the two screws **C** attaching the right and left stoppers. (See Fig.2)
 - (2) Remove the two floating springs on the bottom of the body. (See Fig.3)
 - (3) Take out the mechanism section upward, and remove the three damper springs from the dampers. (See Fig.4)

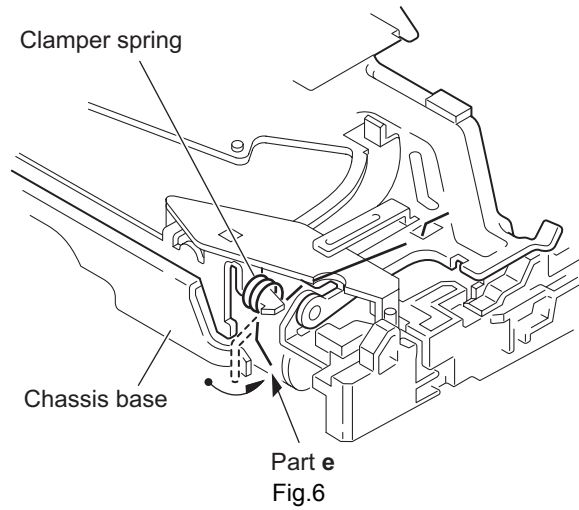
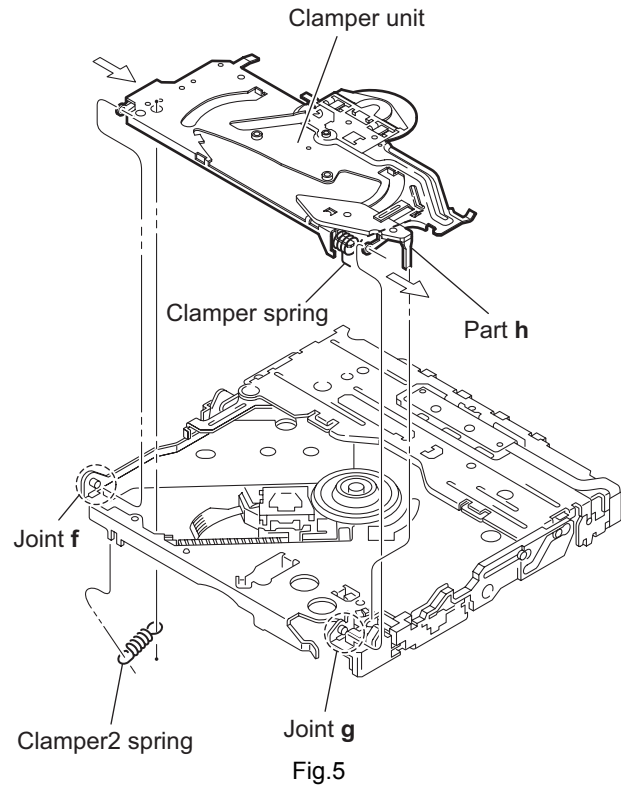
Caution:

- When reassembling the mechanism section, reattach the damper spring to the damper respectively and insert the three shafts on the bottom of the mechanism to the dampers. (See Fig.4)
- Before inserting the shaft to the dampers, apply IPA to the hole of damper.



3.2.4 Removing the clamper unit (See Figs.5 and 6)

- Prior to performing the following procedures, remove the top cover and mechanism section.
 - (1) From the bottom of the mechanism section, remove the clamper spring2. (See Fig.5)
 - (2) Release part e of the clamper spring from the bending part of the chassis base assembly. (See Fig.6)
 - (3) Move the clamper unit in the direction of the arrow, and release the two joints f and g. (See Fig.5)
 - (4) Take out the clamper unit upward. (See Fig.5)

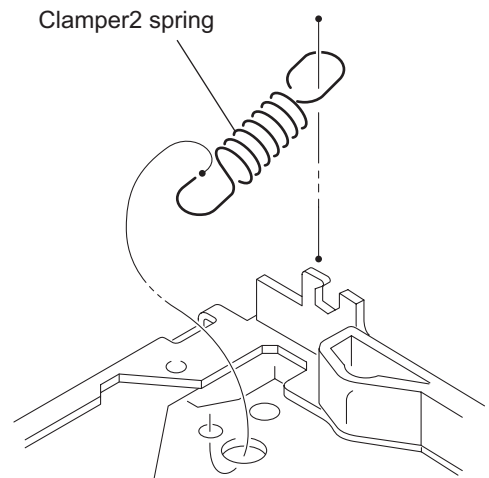


3.2.5 Reattaching the clamper unit (See Figs.5 to 9)

- (1) From the bottom of the mechanism section, attach the clamper spring2 to the clamper unit. (See Figs.5 and 7)
- (2) Move the clamper unit to set the side joints **f** and **g** to each boss of the chassis base. (See Fig.5)
- (3) Make sure that part **h** is inserted to the notch of the chassis base. (See Figs.5 and 8)
- (4) Move the clamper spring to the outside of the bending part of the chassis base. (See Fig.9)

Caution:

When reattaching the clamper unit, temporarily hook the end of the clamper spring as shown in the figure to make the work easy. (See Fig.9)



Chassis base
Fig.7

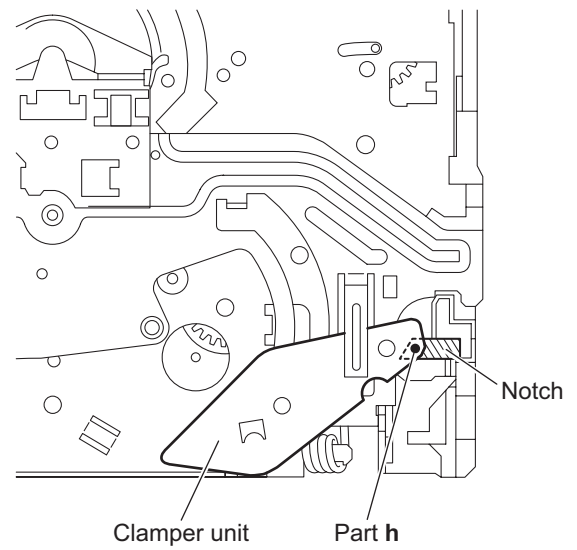


Fig.8

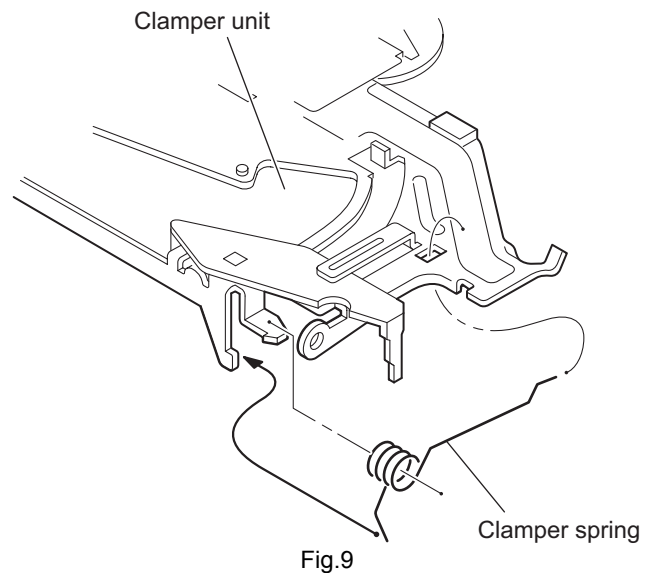


Fig.9

3.2.6 Removing the front unit (See 10 to 12)

- Prior to performing the following procedures, remove the top cover and mechanism section.
 - (1) From the bottom side of the mechanism section, disconnect the flexible wire from connector **CN503** on the front-end board. (See Fig.10)
 - (2) From the top of the mechanism section, remove the screw **D** attaching the front unit. (See Fig.11)
 - (3) Move the front unit toward the front to release joint i. (See Fig.11)
 - (4) Release two joints **j** and **k** on the right side of the chassis base. (See Fig.12)
 - (5) Take out the front unit upward, and remove the two screws **E** attaching the switch wire. (See Fig.12)

Reference:

You can remove the switch wire only without removing the front unit.

Caution:

When reassembling, attach the flexible wire extending from the switch wire using a double-stick tape. (See Fig.12)

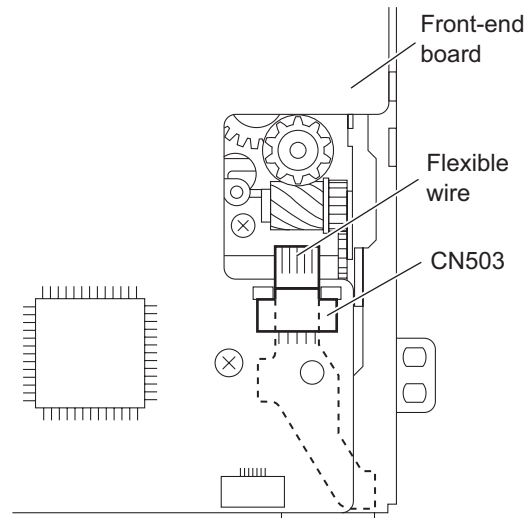


Fig.10

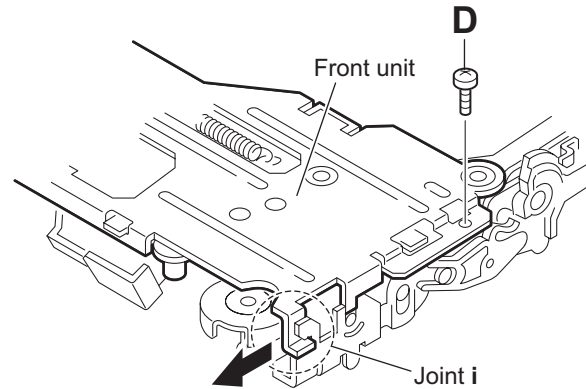


Fig.11

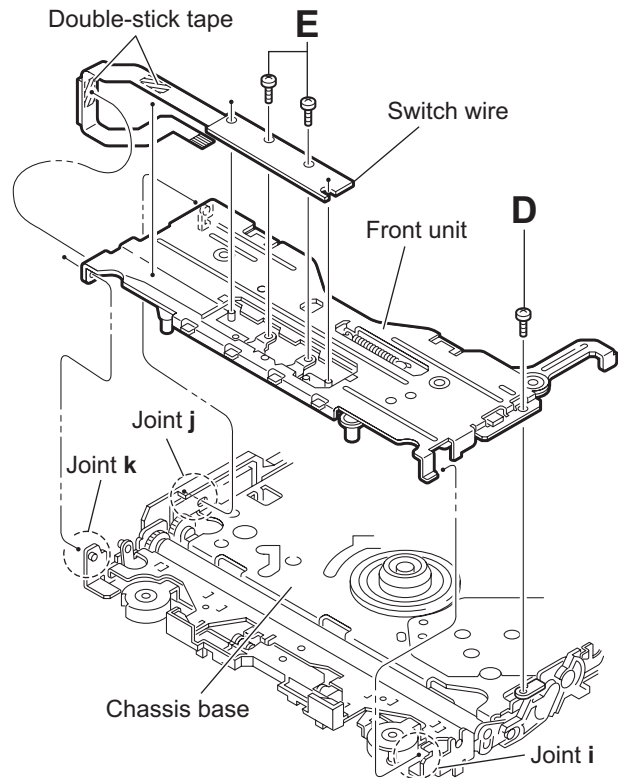


Fig.12

3.2.7 Removing the loading arm S.A. (See Figs.13 and 14)

- Prior to performing the following procedures, remove the top cover, mechanism section and front unit.
 - (1) From top side of the front unit, move the loading arm S.A. from the front upwards. (See Fig.13)
 - (2) Release the bosses from the right and left joints **m** and **n** of the chassis base. (See Figs.13 and 14)
 - (3) Release the boss from notch **p** of the connect arm on the right side of the body, and release the boss from notch **q** of the slide cam assembly on the left side. (See Fig.14)

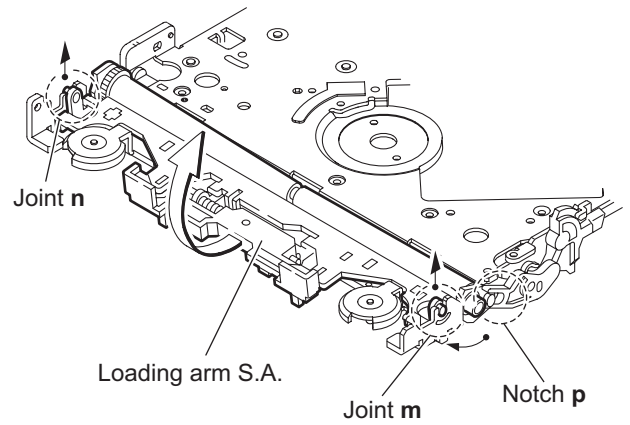


Fig.13

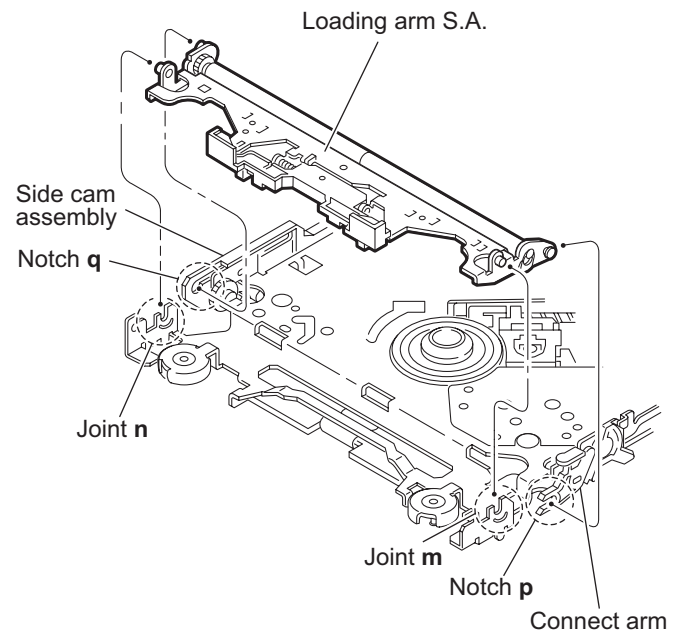


Fig.14

3.2.8 Removing the rod (L)(R) and roller assembly (See Figs.15 and 16)

- Prior to performing the following procedures, remove the top cover, mechanism section, front unit and loading arm S.A.
 - (1) From the bottom side of the loading arm S.A., release the rod (L) and (R) from the joints r. (See Fig.15)
 - (2) Remove the roller assembly from the loading assembly. (See Fig.16)
 - (3) Remove the two collars and washer from the roller assembly. (See Fig.16)

Caution:

After attaching the roller assembly to the loading arm S.A., attach the rod (L) and (R). Attach the rods to the right and left collars of the roller. (See Fig.15)

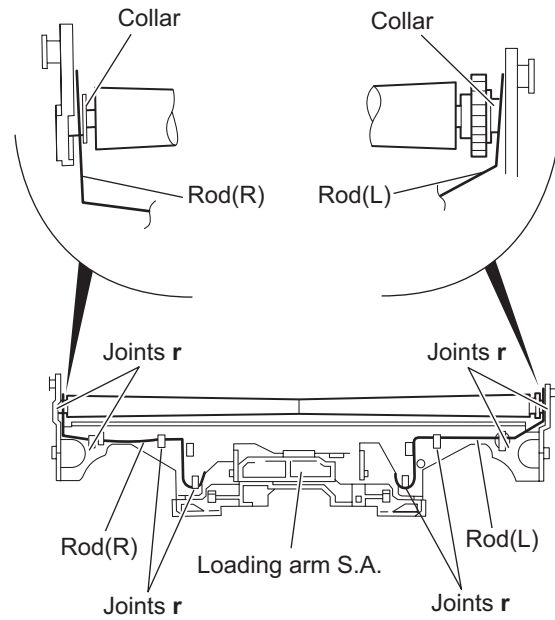


Fig.15

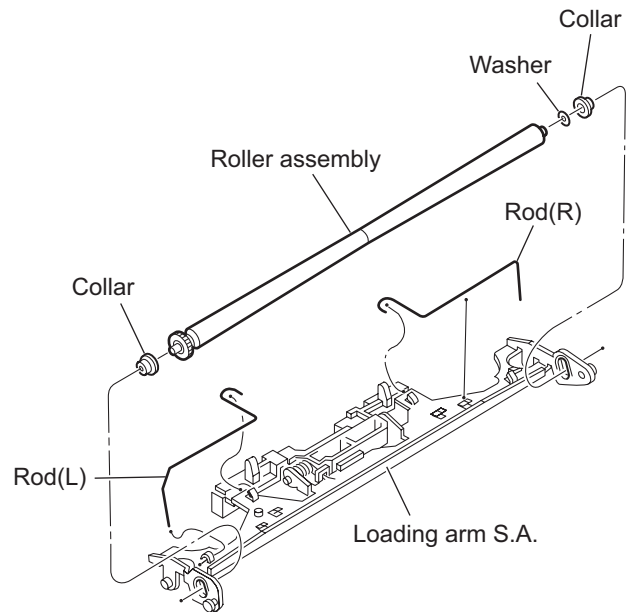


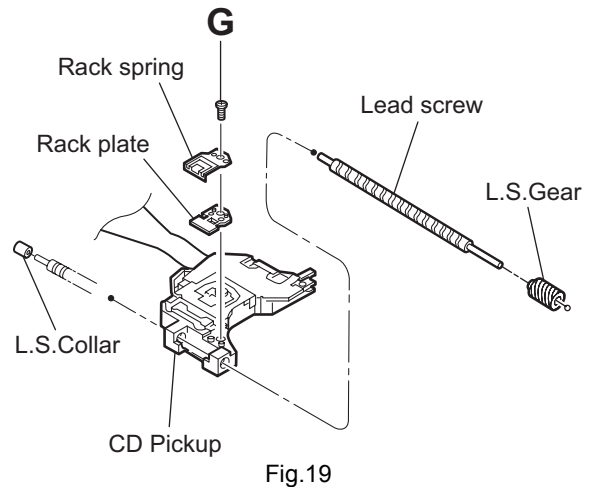
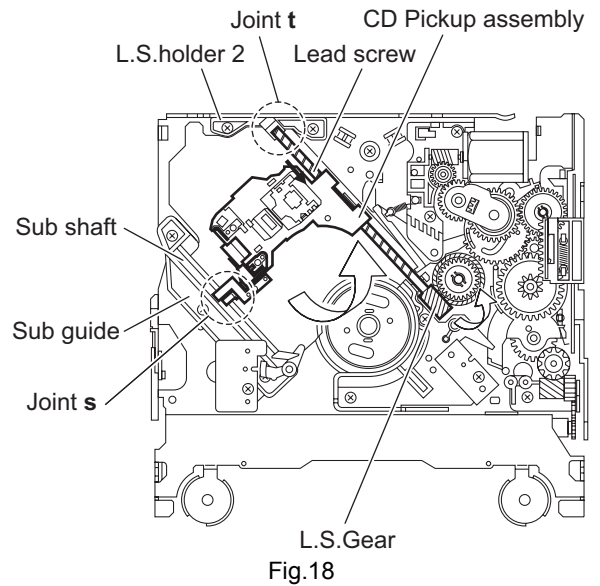
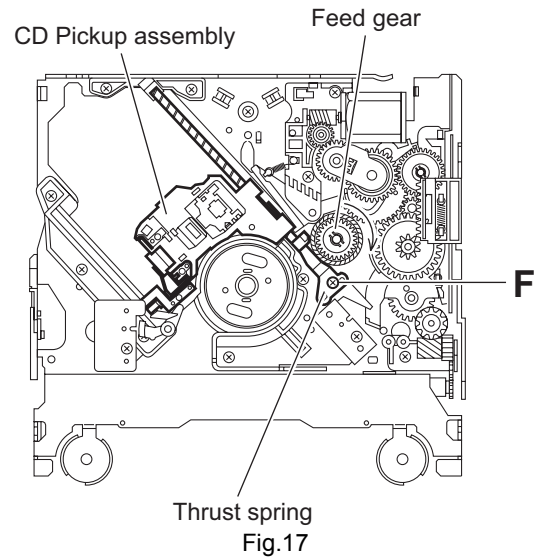
Fig.16

3.2.9 Removing the CD pickup assembly (See Figs.17 to 19)

- Prior to performing the following procedure, remove the front-end board.
 - (1) From the bottom of the CD mechanism assembly, turn the feed gear in the direction of the arrow to move the CD pickup assembly outwards. (See Fig.17)
 - (2) Remove the screw **F** attaching the thrust spring. (See Fig.17)
 - (3) Remove the CD pickup assembly upward from the side of L.S.gear and release sub shaft from joint **s**. (See Fig.18)
 - (4) Move the lead screw of the CD pickup assembly in the direction of the arrow to release at joint **t**. (See Fig.18)
 - (5) Remove the screw **G** attaching the rack spring and rack plate on the CD pickup. (See Fig.19)
 - (6) Pull out the lead screw. (See Fig.19)

Caution:

- When reattaching the CD pickup assembly, reattach the sub shaft at section **s** of the CD pickup assembly to the sub guide first, and attach the lead screw shaft to the joint **t** on the L.S.holder2. (See Fig.18)
- Perform adjustment after replacing the pickup.

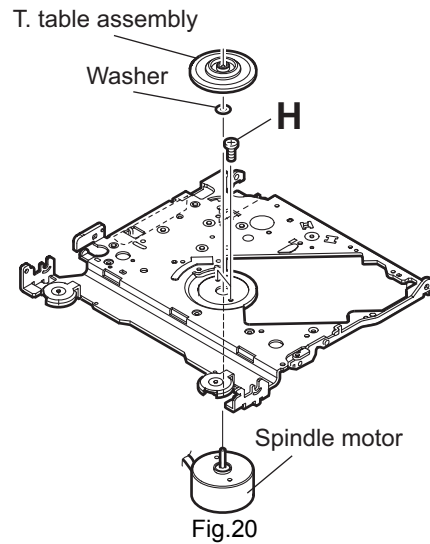


3.2.10 Removing the spindle motor (See Fig.20)

- Prior to performing the following procedure, remove the front-end board.
 - (1) From the bottom side of the CD mechanism assembly, remove the T.table assembly and washer from the spindle motor.
 - (2) Remove the two screws **H** attaching the spindle motor.

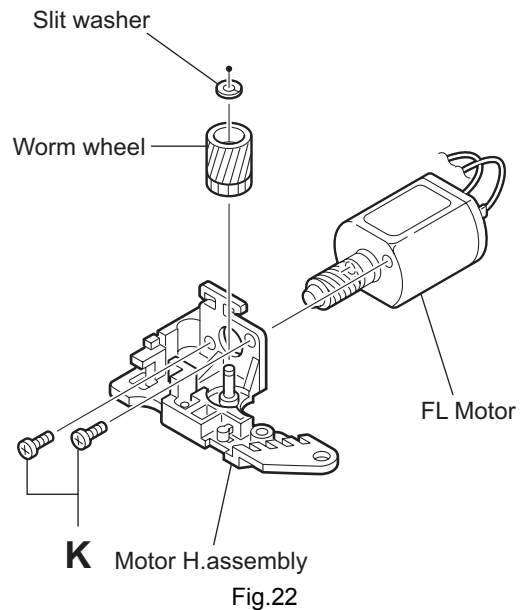
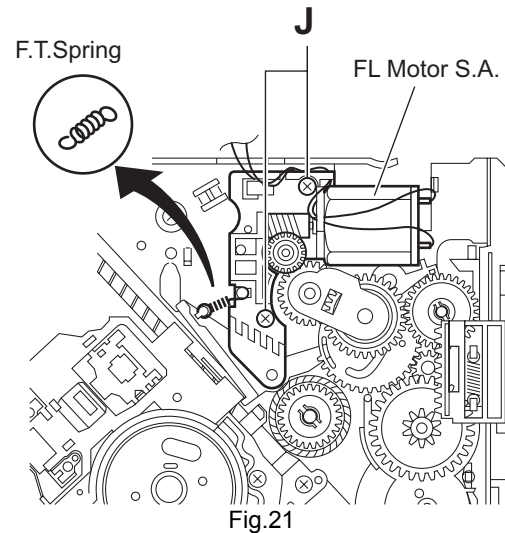
Caution:

Perform adjustment when reattaching the spindle motor.



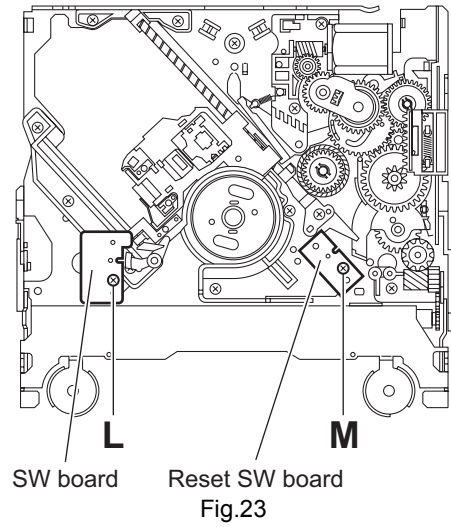
3.2.11 Removing the FL motor S.A. (See Figs.21 and 22)

- Prior to performing the following procedure, remove the front-end board.
 - (1) From the top side of the CD mechanism assembly, remove the F.T.spring. (See Fig.21)
 - (2) Remove the two screws **J** attaching the FL motor S.A. (See Fig.21)
 - (3) Remove the slit washer from the motor H.assembly and pull out the worm wheel. (See Fig.22)
 - (4) Remove the two screws **K** attaching the FL motor. (See Fig.22)



3.2.12 Removing the SW board and reset SW board (See Fig.23)

- Prior to performing the following procedure, remove the front-end board.
 - (1) From the top side of the CD mechanism assembly, remove the screw **L** attaching the SW board.
 - (2) Remove the screw **M** attaching the reset SW board.



SECTION 4 ADJUSTMENT

4.1 Adjustment method

■ Test instruments required for adjustment

- (1) Digital oscilloscope (100MHz)
- (2) Electric voltmeter
- (3) Digital tester
- (4) Tracking offset meter
- (5) Test Disc JVC :CTS-1000
- (6) Extension cable for check
EXTSH002-22P × 1

■ Standard volume position

Balance and Bass & Treble volume : Indication "0"
Loudness : OFF

■ How to connect the extension cable for adjusting

Caution:

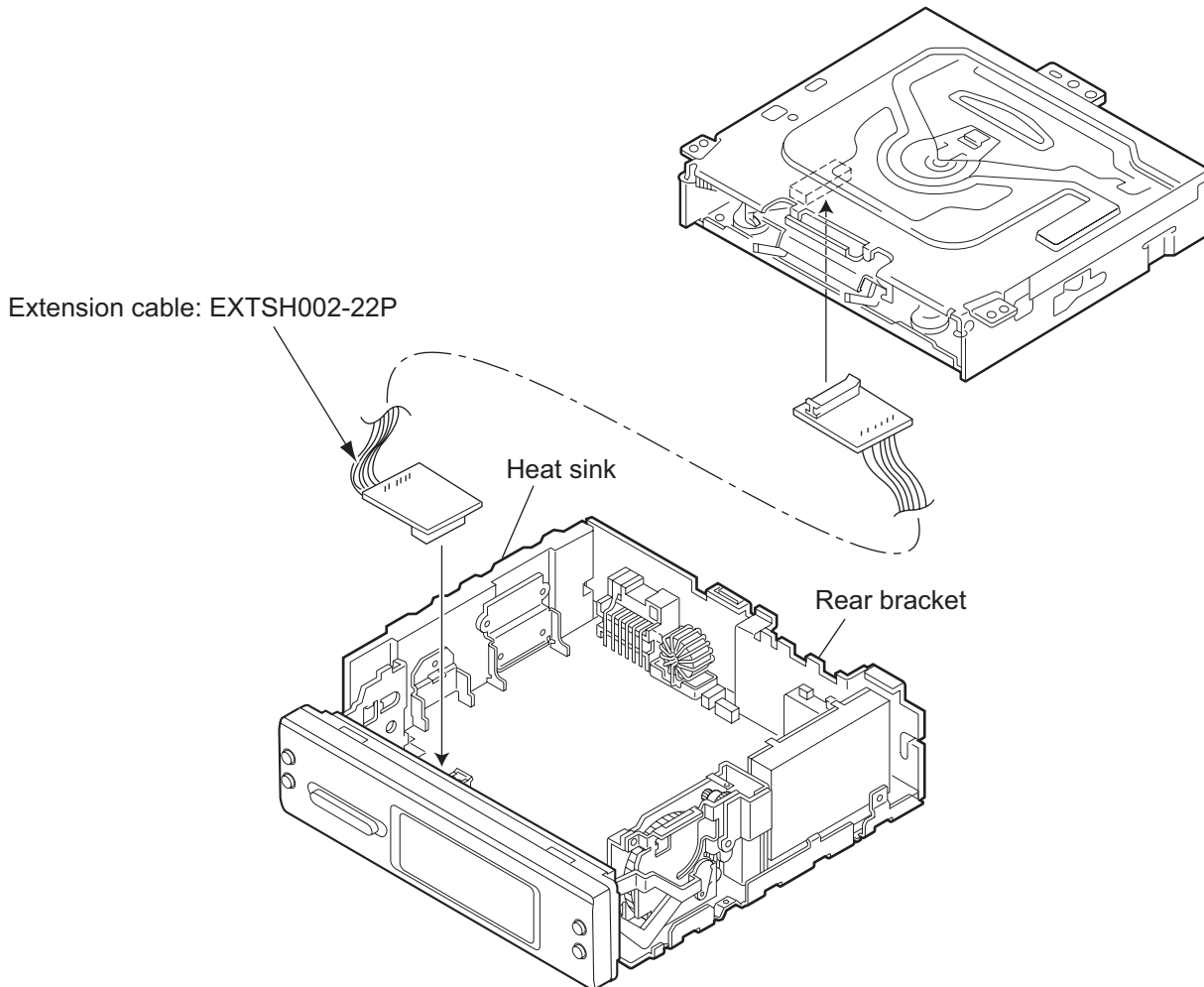
Be sure to attach the heat sink and rear bracket onto the power amplifier IC and regulator IC respectively, before supply the power. If voltage is applied without attaching these parts, the power amplifier IC and regulator IC will be destroyed by heat.

■ Standard measuring conditions

Power supply voltage	DC14.4V(11 to 16V)
Load impedance	20K Ω (2 Speakers connection)
Output Level	Line out 5.0V (Vol. MAX)

■ Dummy load

Exclusive dummy load should be used for AM, and FM. For FM dummy load, there is a loss of 6dB between SSG output and antenna input. The loss of 6dB need not be considered since direct reading of figures are applied in this working standard.



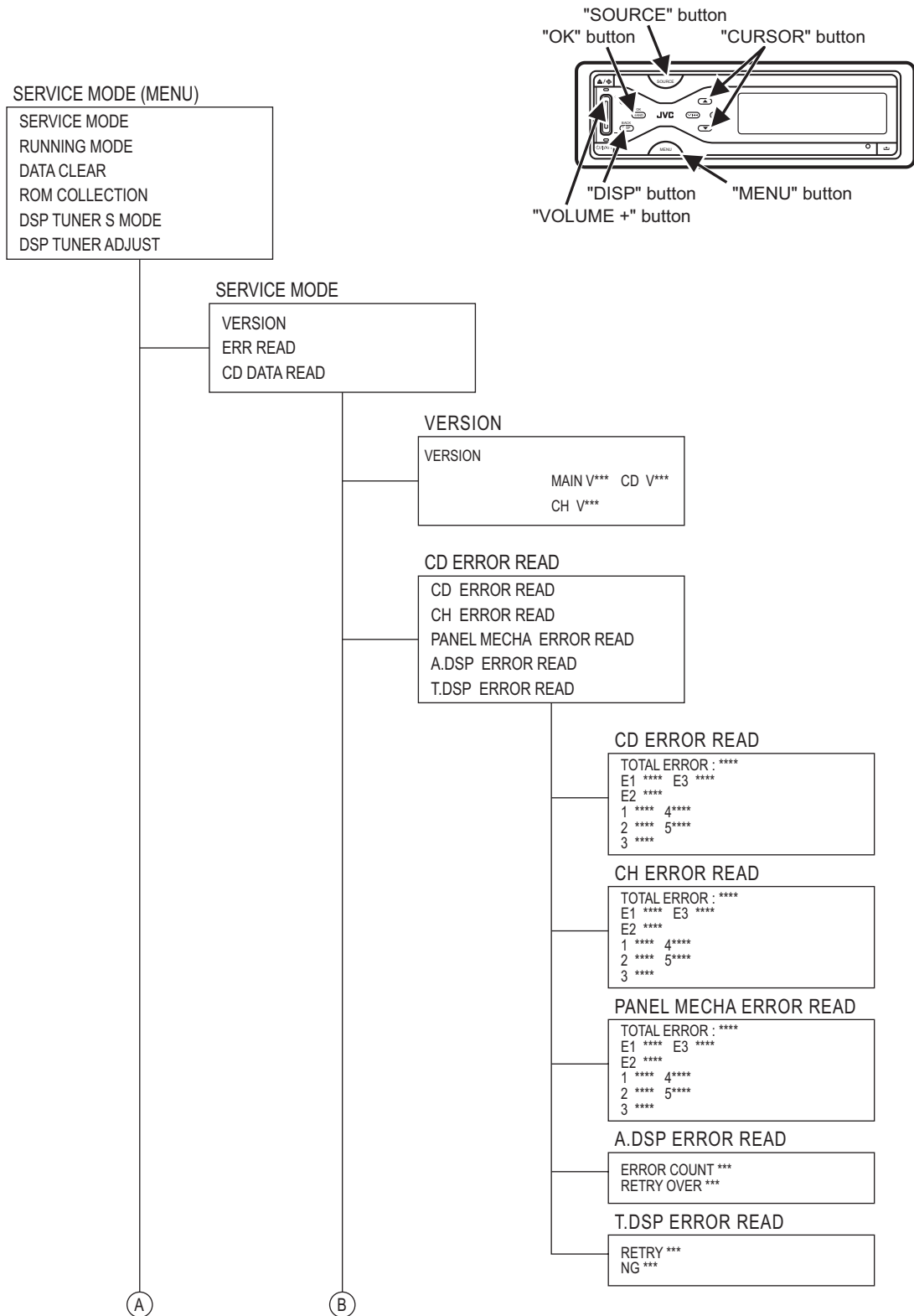
4.2 Service mode

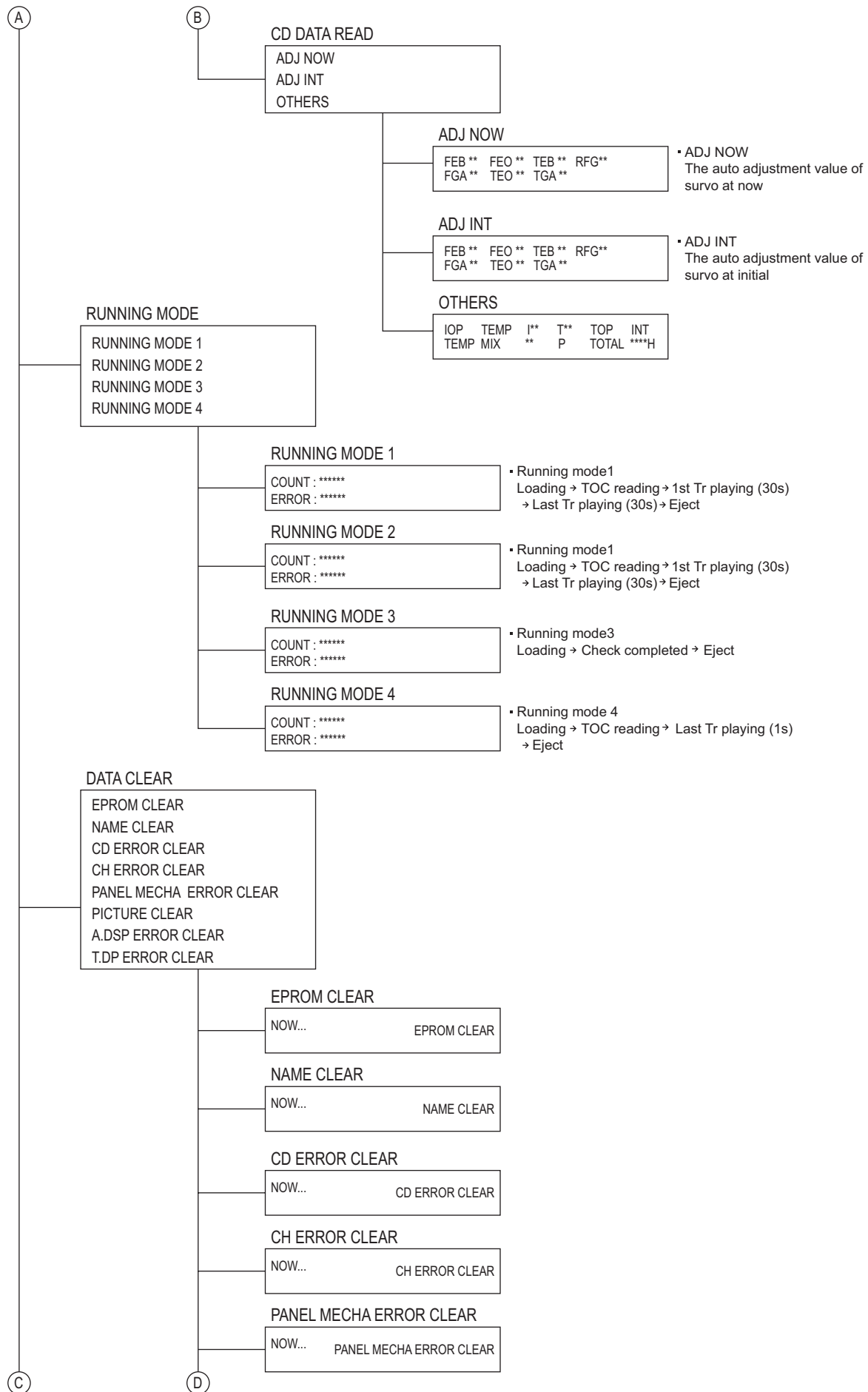
4.2.1 Service mode setting

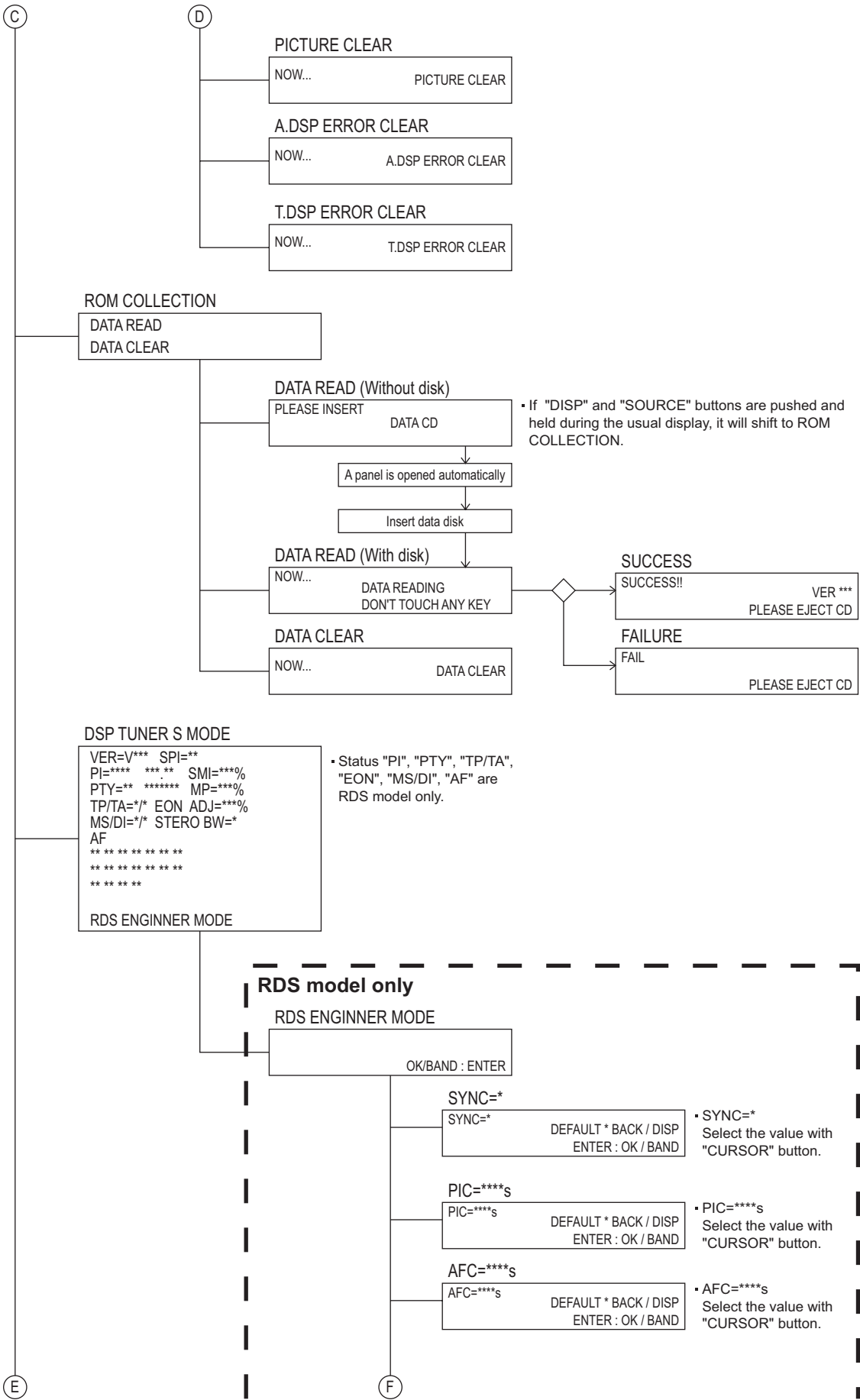
(1) Push POWER BOTTON (Power ON)

(2) Set to service mode

By pushing and holding "DISP" button + "VOLUME +" button + "MENU" button sequentially.

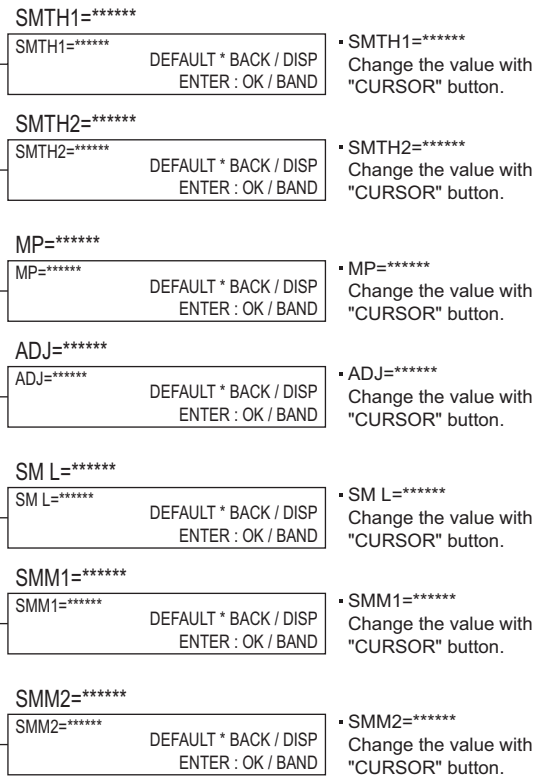






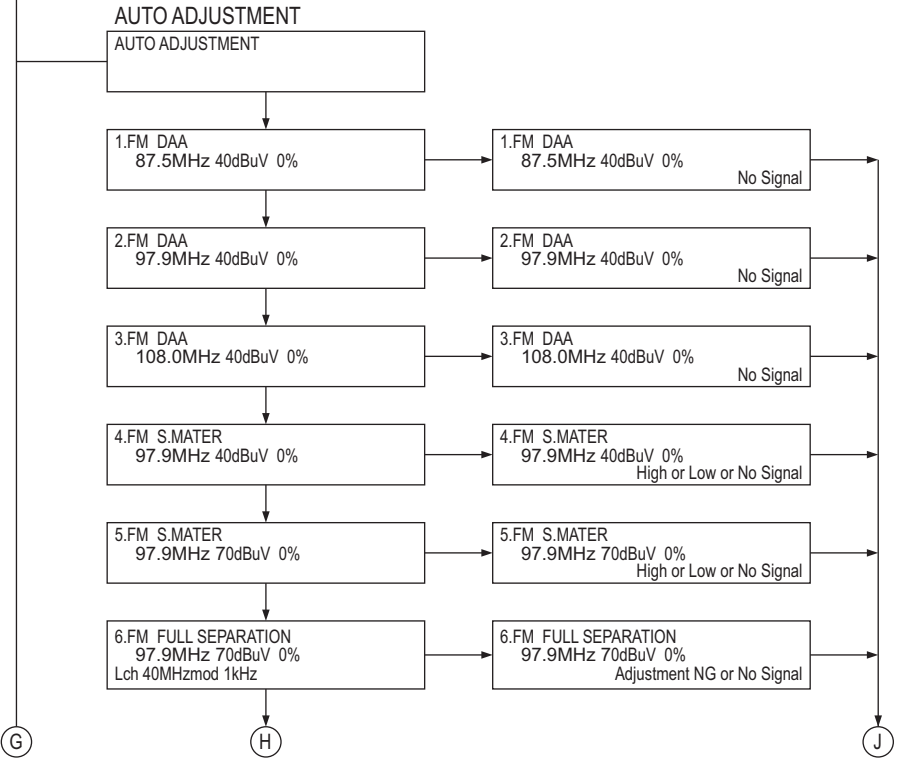
E

F



RDS model only

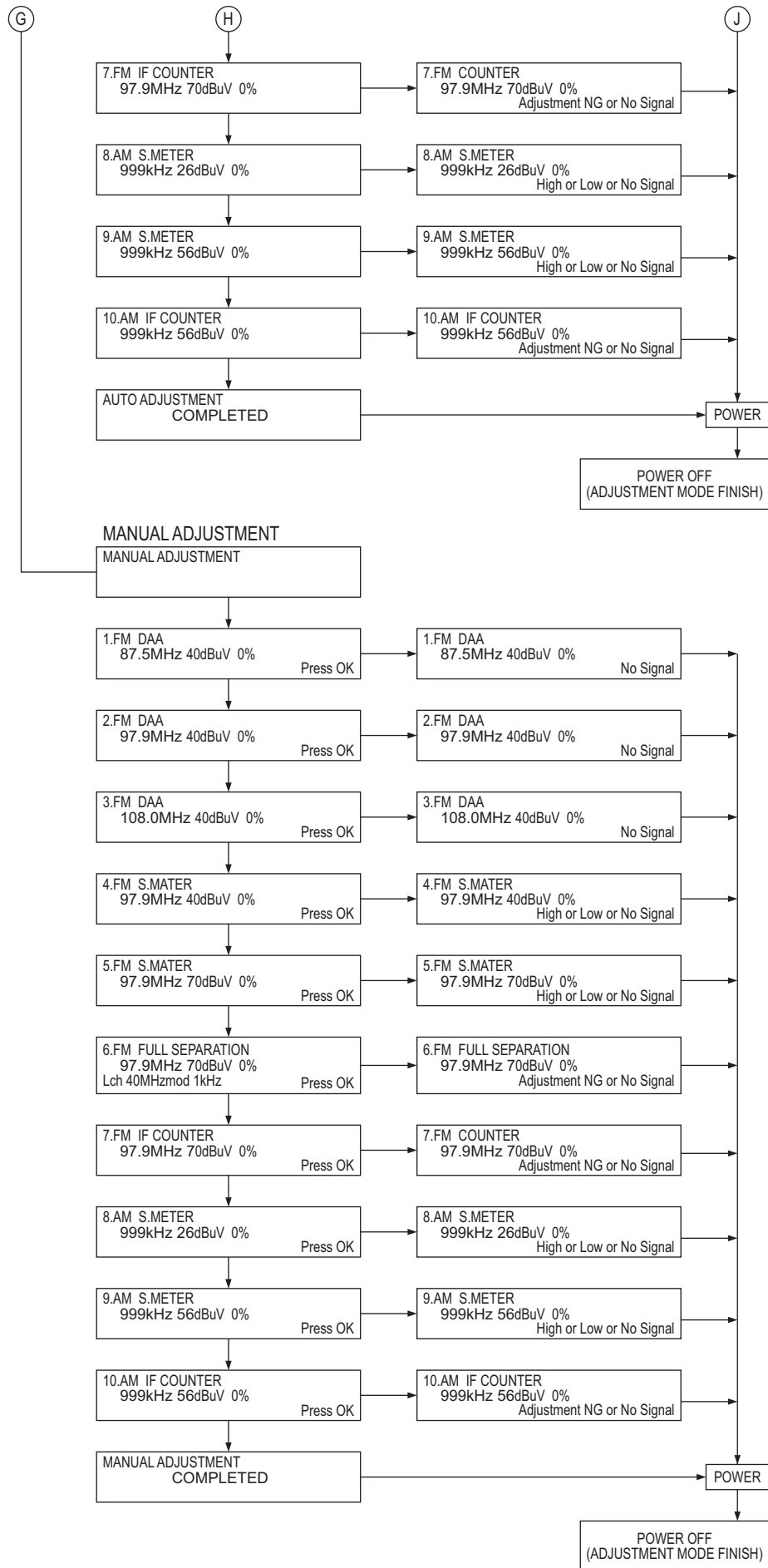
DSP TUNER AJUST
 AUTO ADJUSTMENT
 MANUAL ADJUSTMENT



G

H

J



4.2.2 Detailed CD error code

Error	Details of error	Error code	Detailed error code
Focus serch error Focus is not adjusted by 3-round focus serch	When foccus is not adjusted by 3-round(1set) focus serch after disc change or focus shock, the result is NG	81H	0053
Tracking balance adjustment error Time over(1s)	Tracking balance adjustment is not finished 1s after adjustment command(TBA) is executed	82H	0054
TOC area search error Time over(10s)	TOC area search is not finished after 10s	80H	0055
Focus balance adjustment error Time over(2s)	Focus balance adjustment is not finished 2s after the adjustment command(FBA) is executed	82H	0056
Focus gain adjustment error Time over(0.6s)	Foccus gain adjustment error is not finished 0.6s after the adjustment command(FGA) is executed	82H	0057
Tracking gain adjustment error Time over(0.6s)	Tracking gain adjustment error is not finished 0.6s after the adjustment command(TGA) is executed	82H	0058
TOC read error Time over(30s)	TOC read operation is not finished after 30s	84H	0059
1st track access error Time over(10s)	1st track access is not finished 10s after TOC reading is finished	80H	0060
Last track access error Time over(10s)	Last track access is not finished 10s after 1st track in running mode	80H	0061
Q code read error Time over(0.6s)	Q code is not read for 0.6s during playback of TOC and program area	80H	0062
TEXT data read error	ALL TEXT data are not read	80H	0063
RF read error	RF is not read RFOK is recognized as L	81H	0064

4.2.3 Detailed error code of mechanism error

Error	Details of error	Error code	Detailed error code
Disc loading error 1.B1 Time out 2.C1 Time out 3.D1 Time out 4.C2 Time out 5.B2 Time out 6.A2 Time out 7.F1 Time out 8.A0 (State of the non-existing switch) 9.G1 Time out		09H 09H 09H 09H 09H 09H 09H 09H 09H	0011 0012 0013 0014 0015 0016 0017 0018 0019
Eject error 1.F2 Time out 2.A1 Time out 3.B1 Time out 4.C1 Time out 5.D1 Time out 6.C2 Time out 7.B2 Time out 8.A0 (State of the non-existing switch) 9.G2 Time out		01H 01H 01H 01H 01H 01H 01H 01H 01H	0021 0022 0023 0024 0025 0026 0027 0028 0029
Error while waiting for loading While waiting for loading (15 seconds), SW1 becomes L before stating loading motor	When a disc is removed	09H	0031
Pickup movement error 1.Time over of the pickup movement around inner circumference (10 sec.) 2.Time over of the pickup movement around inner circumference (10 sec.)	Time over at PUBWD and PUFWD by monitoring RESET SW	04H 04H	0051 0052

4.2.4 CD error

Indication	Details
R1_????	Displaying running count
E1_????	Last error
E2_????	Second last error
E3_????	Third last error
##E????	Displaying CD error ##: Amount of errors

4.2.5 Detailed CD changer mechanism error code

Error	Details of error	Error code	Detailed error code
Tray extension error 1.Tray-in switch time out (Tray-in switch Low,Tray-out switch High) 2.Tray-out switch time out (Tray-in switch High,Tray-out switch High) 3.Tray-in switch time out (Tray-in switch Low,Tray-out switch Low) 4.MAG-in switch Low to high	Tray stops part way Tray stops part way Tray-in switch faulty or other defect Magazine removed when tray partly extended	03H 03H 03H 03H	0011 0012 0013 0014
Tray retraction error 1.Tray-in switch time out (Tray-in switch Low,Tray-out switch High) 2.Tray-out switch time out (Tray-in switch High,Tray-out switch High) 3.Tray-in switch time out (Tray-in switch Low,Tray-out switch Low) 4.MAG-in switch Low to high	Tray motor inoperative Tray retraction stops part way Tray-in switch faulty or other defect Magazine removed when tray partly retracted	03H 03H 03H 03H	0016 0017 0018 0019
Lifter raise error 1.Wait position time out 2.Wait position time out 3.Wait position time out	Position motor inoperative Position not stable in fine adjust mode Other fault	02H 02H 02H	0021 0022 0023
Lifter lower error 1.Wait position time out 2.Wait position time out 3.Wait position time out	Position motor inoperative Position not stable in fine adjust mode Other fault	02H 02H 02H	0026 0027 0028
Chuck error 1.Play position time out 2.Play position time out 3.Play position time out	Position motor inoperative Position not stable in fine adjust mode Other fault	02H 02H 02H	0031 0032 0033
Unchuck error 1.Wait position time out 2.Wait position time out 3.Wait position time out	Position motor inoperative Position not stable in fine adjust mode Other fault	02H 02H 02H	0036 0037 0038
Eject error 1.Eject position time out 2.Eject position time out 3.MAG in switch time out	Position motor inoperative Eject position not attained* Magazine not ejected	02H 02H 01H	0041 0042 0043
Initialize error 1.Mechanism switch NG error 2.Absolute position time out	Both Tray-in and Tray-out Low Not stable at absolute position*	02H 02H	0046 0047

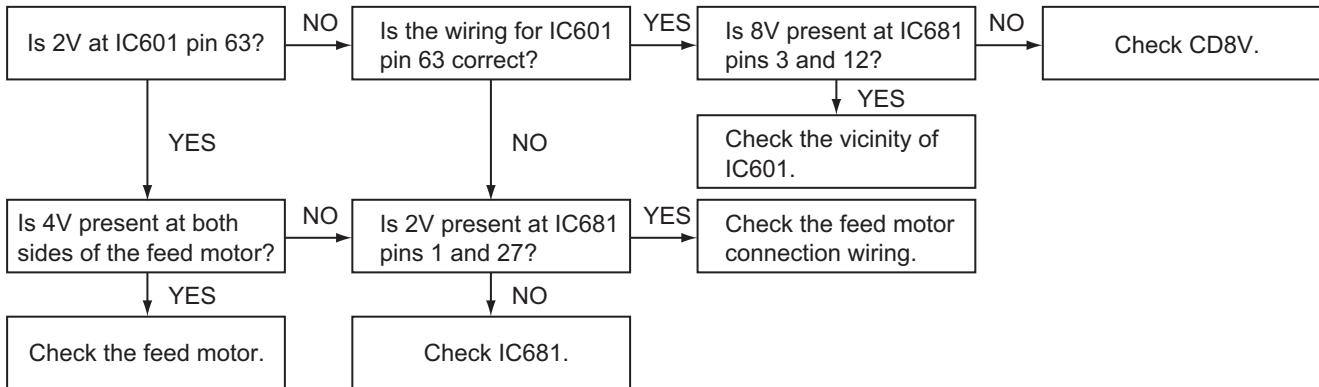
Note*:Wait position,play position,not stable at absolute position and eject position not attained, all error is position motor time out.

4.2.6 Detailed CD changer error code

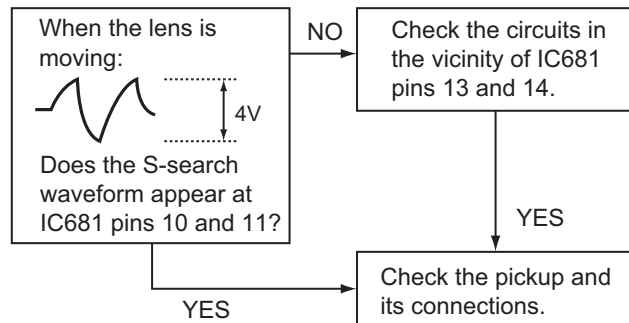
Error	Details of error	Error code	Detailed error code
Pickup movement error	Time over at PUBWD and PUFWD by monitoring RESET SW		
1.Time over of pickup movement around inner circumference (10s)	Pickup cannot move to an inner circumference. RESET SW is not on.	04H	51H
2.Time over of pickup movement around outer circumference (10s)	Pickup cannot move to an outer circumference. RESET SW is not off.	04H	52H
Focus serch error	When focus is not adjusted by 3-round(1set) focus serch after disc change or focus shock, the result is NG	81H	53H
Focus is not adjusted by 3-round focus serch			
Tracking balance adjustment error	Tracking balance adjustment is not finished 1s after adjustment command(TBA) is executed	82H	54H
Time over(1s)			
TOC area search error	TOC area search is not finished after 10s	80H	55H
Time over(10s)			
Focus balance adjustment error	Focus balance adjustment is not finished 2s after the adjustment command is executed	82H	56H
Time over(2s)			
Focus gain adjustment error	Foucus gain adjustment error is not finished 0.6s after the adjustment command is executed	82H	57H
Time over(0.6s)			
Tracking gain adjustment error	Tracking gain adjustment error is not finished 0.6s after the adjustment command is executed	82H	58H
Time over(0.6s)			
TOC read error	TOC read operation is not finished after 20s	84H	59H
Time over(20s)			
1st track access error	1st track access is not finished 10s after TOC reading is finished	80H	60H
Time over(10s)			
Last track access error	Last track access is not finished 10s after 1st track in running mode	80H	61H
Time over(10s)			
Q code read error	Q code is not read for 0.6s during playback of TOC and program area	80H	62H
Time over(0.6s)			

SECTION 5 TROUBLESHOOTING

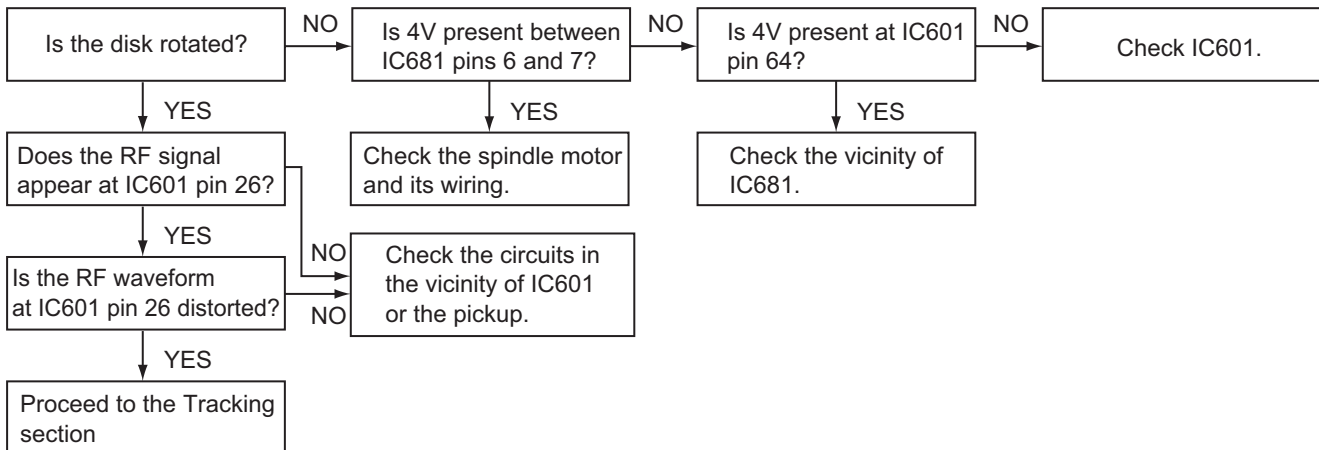
5.1 Feed section



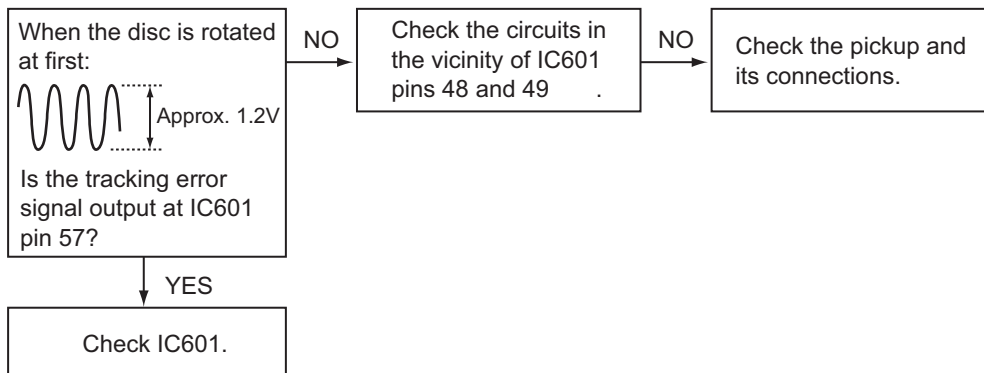
5.2 Focus section



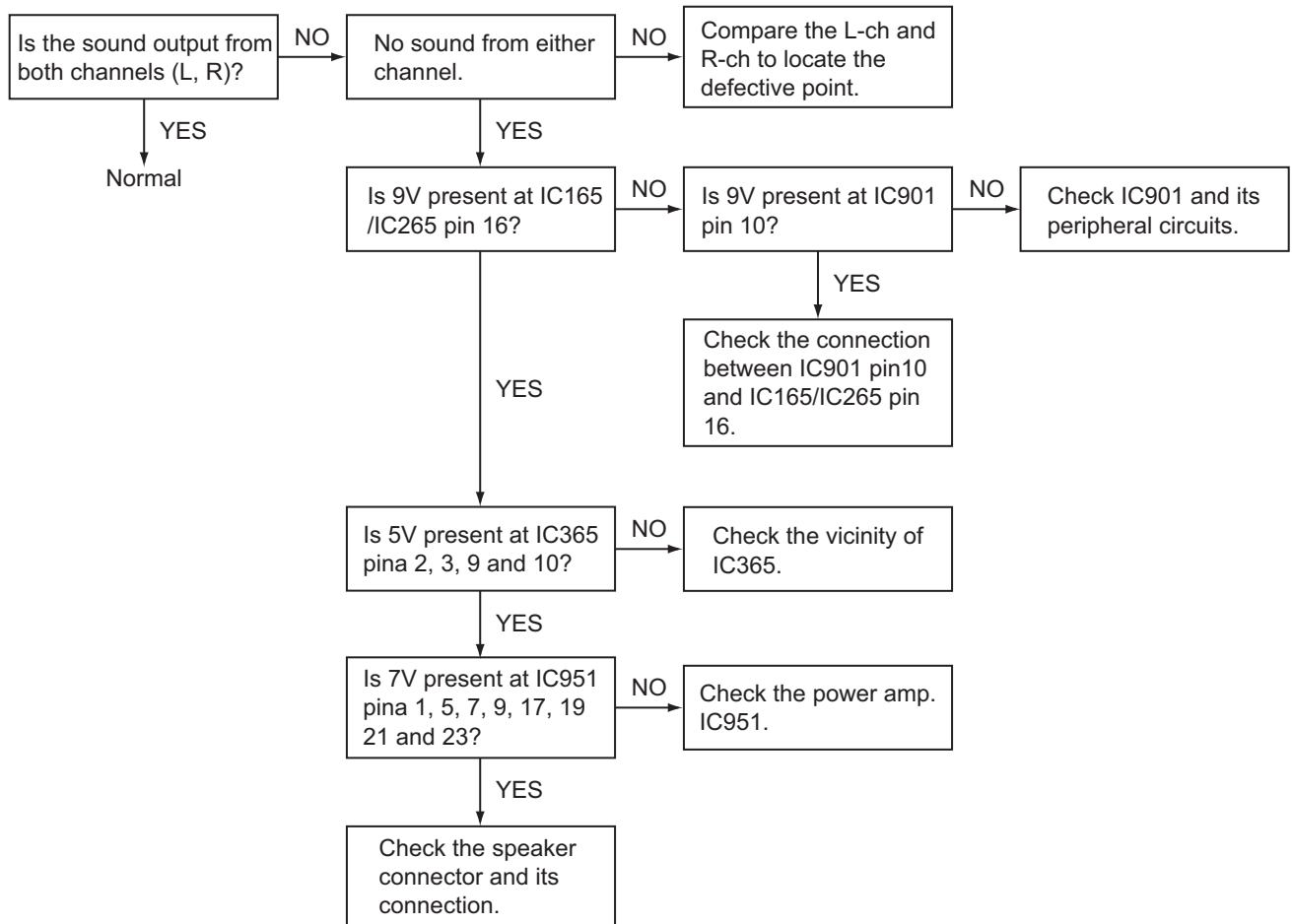
5.3 Spindle section



5.4 Tracking section



5.5 Signal processing section



5.6 Maintenance of laser pickup

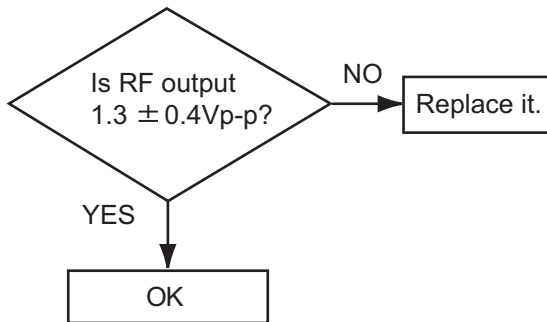
(1) Cleaning the pick up lens

Before you replace the pick up, please try to clean the lens with a alcohol soaked cotton swab.

(2) Life of the laser diode

When the life of the laser diode has expired, the following symptoms will appear.

- The level of RF output (EFM output: amplitude of eye pattern) will be low.

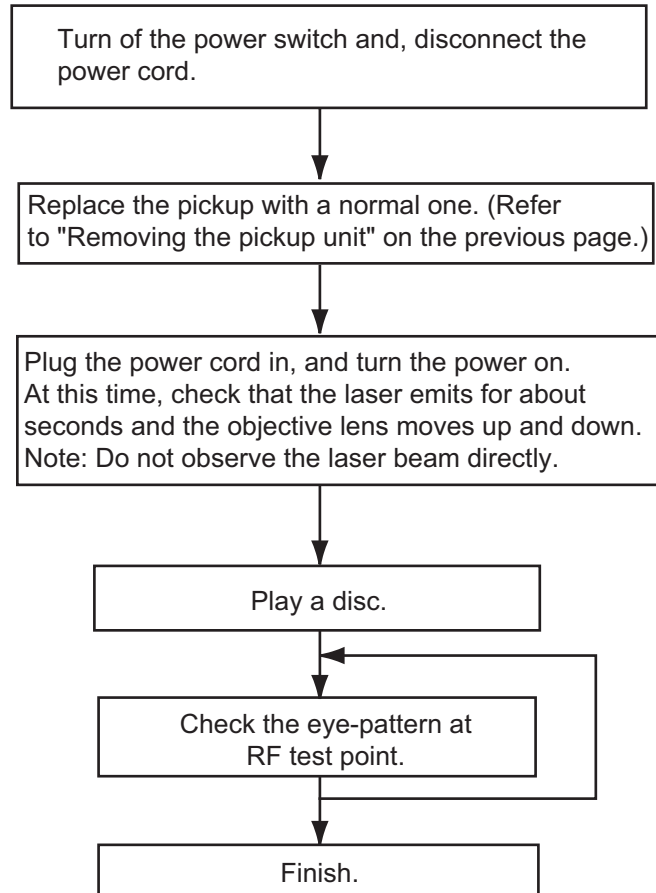


(3) Semi-fixed resistor on the APC PC board

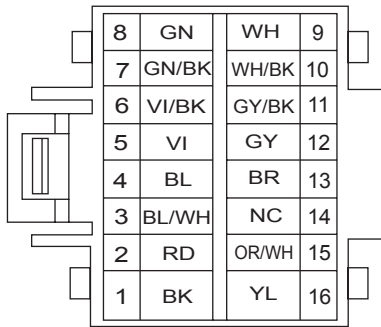
The semi-fixed resistor on the APC printed circuit board which is attached to the pickup is used to adjust the laser power. Since this adjustment should be performed to match the characteristics of the whole optical block, do not touch the semi-fixed resistor.

If the laser power is lower than the specified value, the laser diode is almost worn out, and the laser pickup should be replaced. If the semi-fixed resistor is adjusted while the pickup is functioning normally, the laser pickup may be damaged due to excessive current.

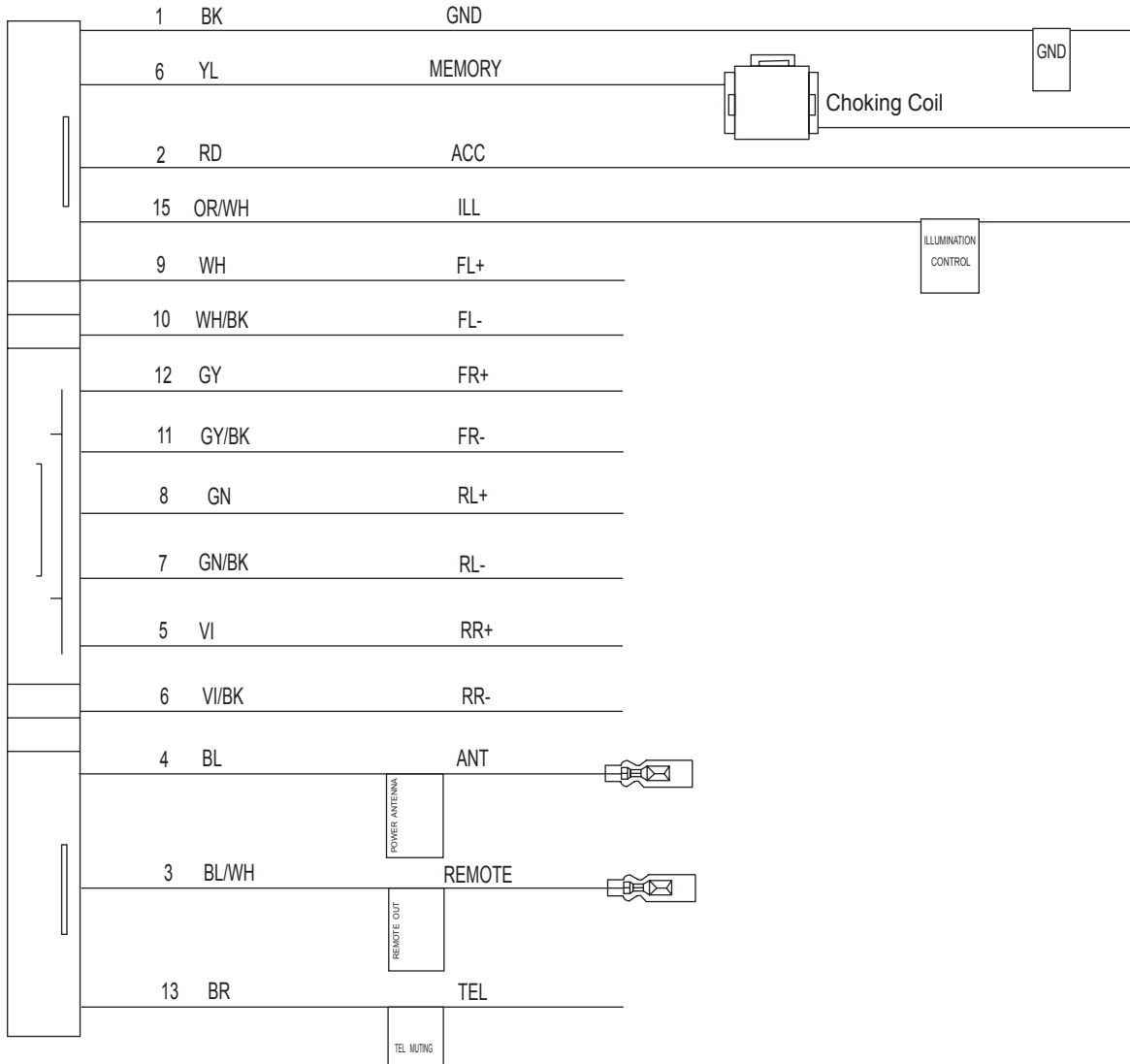
5.7 Replacement of laser pickup



5.8 16PIN CORD DIAGRAM



BK	Black	GN	Green
RD	Red	VI	Violet
BL	Blue	GY	Gray
WH	White	YL	Yellow
BR	Brown	OR	Orange



RR	Rear Right	ANT	Auto Antenna
FR	Front Right	ACC	ACC Line
FL	Front Left	ILL	Illuminations Control
RL	Rear Left	GND	Ground
REMOTE	Remote out	MEMORY	Memory Backup Battery+
TEL	Telephone muting		



JVC

Victor Company of Japan, Limited
AV & MULTIMEDIA COMPANY CAR ELECTRONICS CATEGORY 10-1,1chome,Ohwatari-machi,Maebashi-city,371-8543,Japan

(No.MA048)

JVC

SCHEMATIC DIAGRAMS

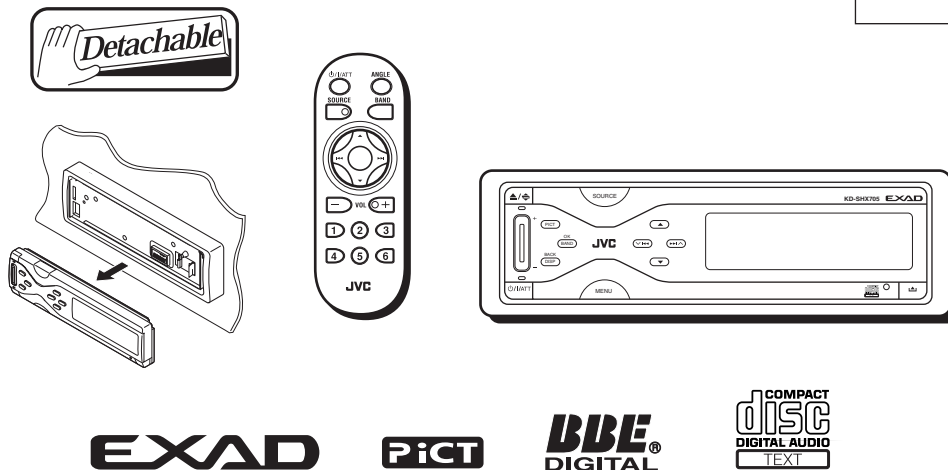
CD RECEIVER

KD-SHX705

CD-ROM No.SML200405

Area suffix

U ----- Other Areas



Contents

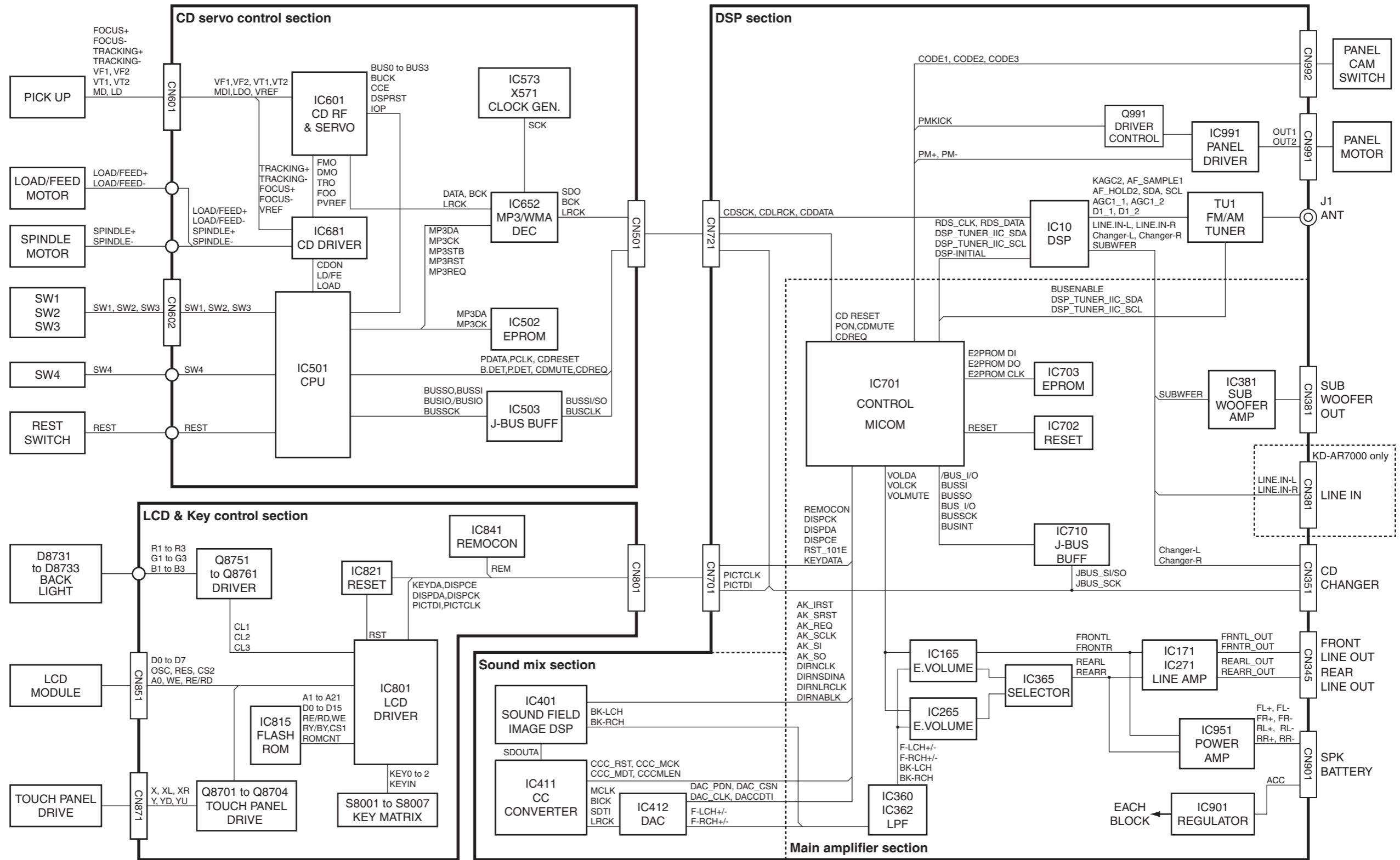
Block diagram	2-1
Standard schematic diagrams	2-2 to 6
Printed circuit boards	2-7 to 9

Safety precaution

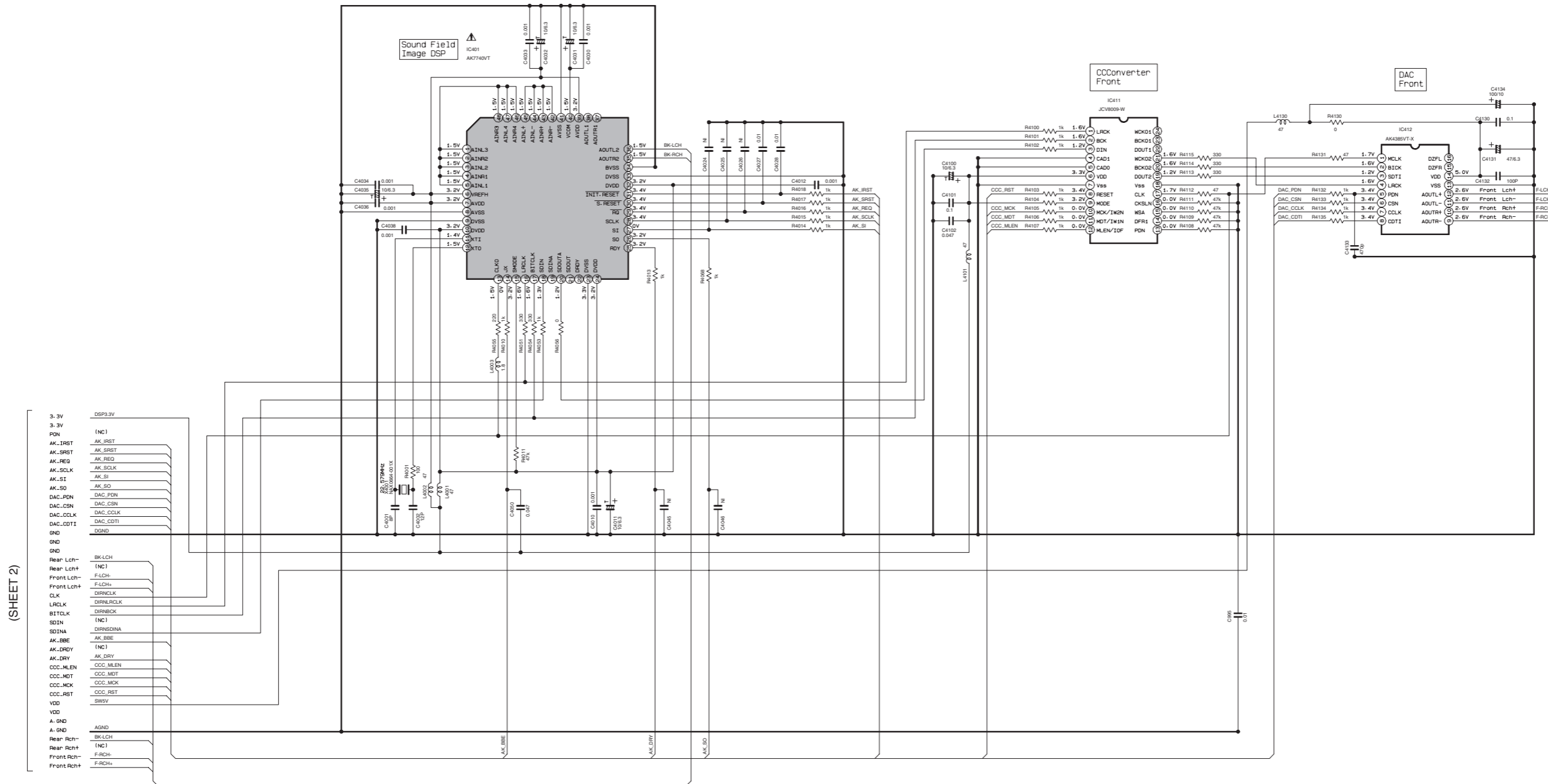
 **CAUTION** Burrs formed during molding may be left over on some parts of the chassis. Therefore, pay attention to such burrs in the case of performing repair of this system.

 **CAUTION** Please use enough caution not to see the beam directly or touch it in case of an adjustment or operation check.

Block diagram



Sound mix section



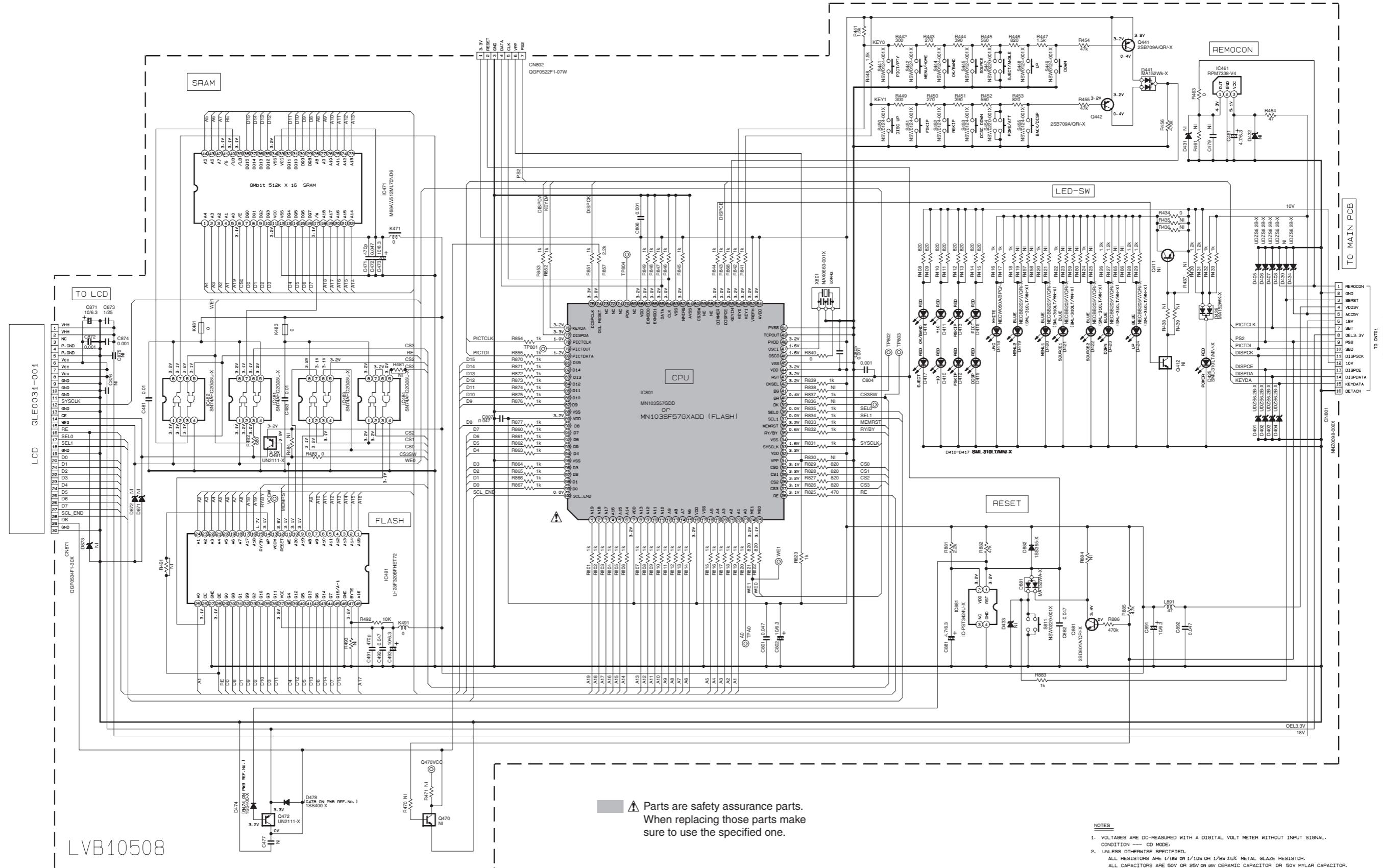
(SHEET 2)

Parts are safety assurance parts. When replacing those parts make sure to use the specified one.

NOTES
 1. VOLTAGES ARE DC-MEASURED WITH A DIGITAL VOLT METER WITHOUT INPUT SIGNAL. CONDITION — CD MODE.
 2. UNLESS OTHERWISE SPECIFIED, ALL RESISTORS ARE 1/16W OR 1/10W OR 1/8W ±5% METAL GLAZE RESISTOR. ALL CAPACITORS ARE 50V OR 25V OR 16V CERAMIC CAPACITOR OR 50V MYLAR CAPACITOR. ALL RESISTANCE VALUES ARE IN OHMS (Ω). ALL CAPACITANCE VALUES ARE IN pF (pF). ALL E-CAPACITORS ARE SHOWN IN THE FORM OF CAPACITANCE/µF/RATED VOLTAGE (V).
 3. NI STANDS FOR NOT MOUNTED PARTS.

	10k	UN2211
	47k	UN2213
	10k	UN2111
	10k	UN2214

■ LCD & Key control section

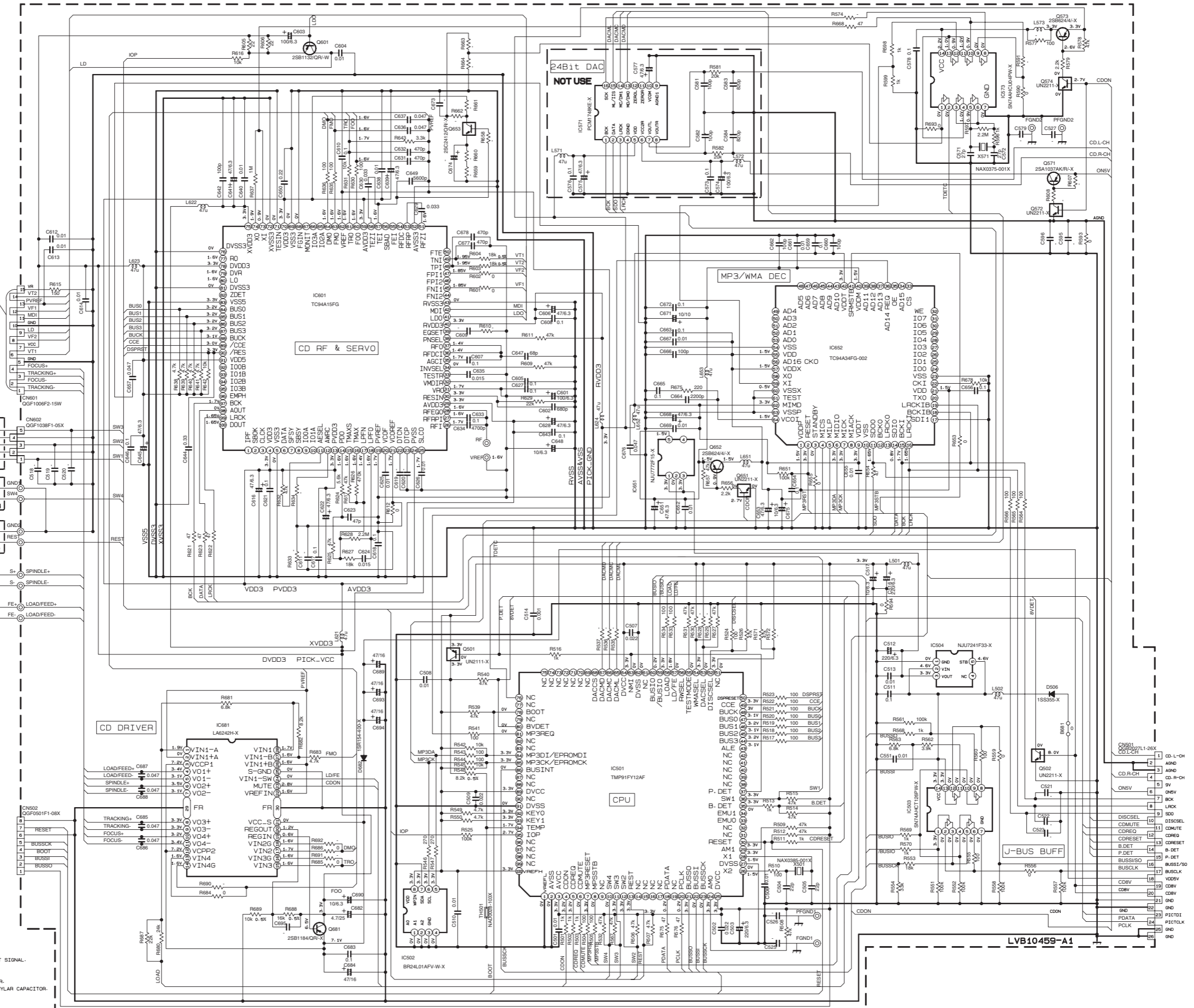
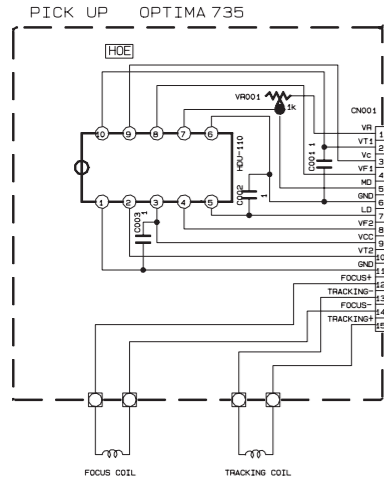


⚠ Parts are safety assurance parts.
When replacing those parts make
sure to use the specified one.

- NOTES
1. VOLTAGES ARE DC-MEASURED WITH A DIGITAL VOLT METER WITHOUT INPUT SIGNAL.
CONDITION --- CD MODE.
 2. UNLESS OTHERWISE SPECIFIED:
ALL RESISTORS ARE 1/10W OR 1/10W OR 1/8W ±5% METAL GLAZE RESISTOR.
ALL CAPACITORS ARE 50V OR 25V OR 16V CERAMIC CAPACITOR OR 50V WMYLAR CAPACITOR.
ALL RESISTANCE VALUES ARE IN Ω(MΩ).
ALL CAPACITANCE VALUES ARE IN μF(PμF).
ALL E-CAPACITORS ARE SHOWN IN THE FORM OF CAPACITANCE(μF)/RATED VOLTAGE (V).
 3. NI STANDS FOR NOT MOUNTED PARTS.

(SHEET 1)

CD servo control section



NOTES

1. VOLTAGES ARE DC-MEASURED WITH A DIGITAL VOLT METER WITHOUT INPUT SIGNAL. CONDITION --- CD MODE.

2. UNLESS OTHERWISE SPECIFIED.

ALL RESISTORS ARE 1/16W OR 1/10W OR 1/8W ±5% METAL GLAZE RESISTOR.

ALL CAPACITORS ARE 50V OR 25V OR 16V CERAMIC CAPACITOR OR 50V MYLAR CAPACITOR.

ALL RESISTANCE VALUES ARE IN OHM(Ω).

ALL CAPACITANCE VALUES ARE IN pF(pF).

ALL E-CAPACITORS ARE SHOWN IN THE FORM OF CAPACITANCE(μF)/RATED VOLTAGE (V).

To CN721 (SHEET 1)

JVC

VICTOR COMPANY OF JAPAN, LIMITED

AV & MULTIMEDIA COMPANY CAR ELECTRONICS CATEGORY 10-1, 1chome, Ohwatari-machi, Maebashi-city, 371-8543, Japan

(No.MA048SCH)



Printed in Japan
WPC

PARTS LIST

[KD-SHX705]

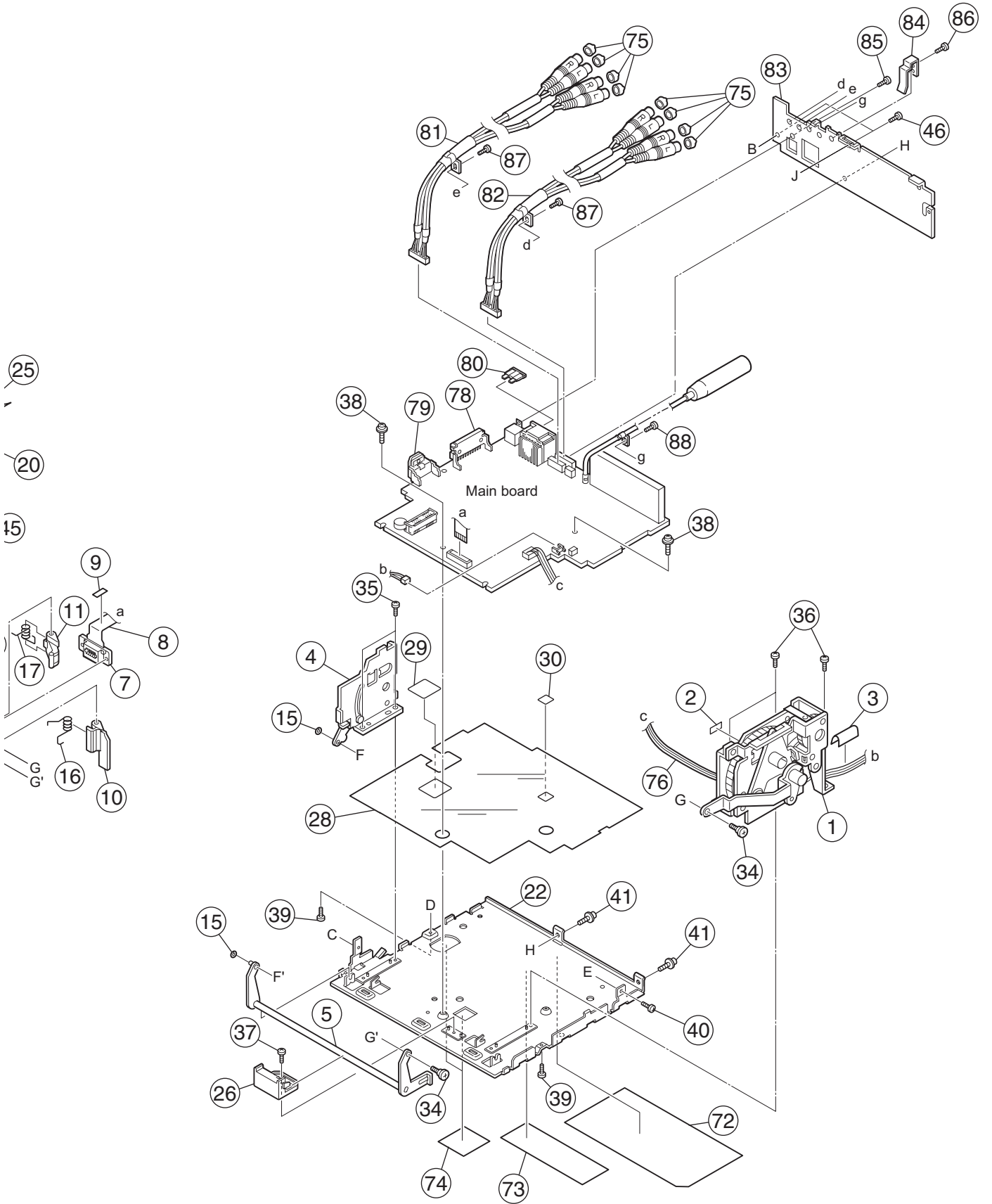
* All printed circuit boards and its assemblies are not available as service parts.

Area suffix

U ----- Other Areas

- Contents -

Exploded view of general assembly and parts list (Block No.M1)	3- 2
CD mechanism assembly and parts list (Block No.MB)	3- 6
Electrical parts list (Block No.01~03)	3- 9
Packing materials and accessories parts list (Block No.M3).....	3-18



General Assembly

Block No. [M][1][M][M]

Symbol No.	Part No.	Part Name	Description	Local
1	GE20156-002A	GEAR BKT UNIT		
2	LV40847-002A	SPACER		
3	FSYH4036-100	SHEET		
4	GE30968-001A	LEVER BKT UNIT		
5	GE30964-002A	LOWER LEVER ASS		
6	GE30975-003A	FRONT BKT ASSY		
7	QNZ0664-002	CAR CONNECTOR		
8	QAL0587-001	FPC		
9	FSYH4036-100	SHEET		
10	GE30972-001A	DETACH LEVER		
11	GE30973-001A	KICK LEVER		
12	GE40192-001A	SHAFT		
13	GE40193-001A	SHAFT		
14	WDL123525	SLIT WASHER	(x2)	
15	WDL215025	WASHER	(x2)	
16	GE40194-001A	T SPRING		
17	GE40195-002A	T SPRING		
18	LV43971-001A	ABSORBER	(x2)	
19	LV10884-001A	TOP CHASSIS		
20	LV35317-001A	MECHA HEAT SINK		
21	LV43854-003A	COOLING RUBBER		
22	GE10074-001A	BOTTOM CHASSIS		
23	LV34930-005A	F CHASSIS ASSY		
24	GE40156-001A	BLIND		
25	LV35233-001A	EARTH SPRING2		
26	GE30974-001A	FPC GUIDE		
27	GE40196-001A	ABSORBER	(x2)	
28	LV35332-001A	INSULATOR		
29	LV43854-001A	COOLING RUBBER		
30	LV43854-002A	COOLING RUBBER		
31	GE31206-003A	HEAT SINK		
32	QYSPSP2003M	SCREW	2mm x 3mm(x2)	
33	QYSPSGU2040M	TAP SCREW	M2 x 4mm(x2)	
34	LV42181-002A	SPECIAL SCREW	(x2)	
35	LV40865-001A	MINI SCREW	(x2)	
36	LV40865-001A	MINI SCREW	(x3)	
37	LV40865-001A	MINI SCREW		
38	LV41200-001A	SPECIAL SCREW	(x2)	
39	FSKZ4005-001	SCREW	(x2)	
40	QYSDST2604Z	SCREW	2.6mm x 4mm(x2)	
41	LV41200-001A	SPECIAL SCREW	(x2)	
42	FSKZ4005-002	SCREW	(x2)	
43	QYSDST2614Z	TAPPING SCREW	M2.6 x 14mm(x2)	
44	QYSDST2614Z	TAPPING SCREW	M2.6 x 14mm	
45	QYSDST2605Z	SCREW	2.6mm x 5mm(x3)	
46	QYSDST2604Z	SCREW	2.6mm x 4mm(x2)	
47	LV34975-003A	FRONT PANEL ASSY		
48	LV34806-001A	EJECT BUTTON		
49	LV34807-001A	EJECT BUTTON BA		
50	LV34808-001A	POWER BUTTON		
51	LV43999-001A	SHEET		
52	LV34809-001A	POWER BUTTON BA		
53	LV34815-001A	SHADING WALL 1		
54	LV34805-001A	SHADING WALL 2	(x2)	
55	LV34810-001A	VOL BUTTON		
56	LV34816-001A	SHADING WALL 3		
57	LV34800-003A	3 BUTTON		
58	LV34801-002A	4 BUTTON		
59	LV34799-001A	DETACH BUTTON		
60	LV43723-001A	COMPRESSION SPRING		
61	LV34817-001A	IR FILTER		
62	LV34818-001A	RESET BUTTON		
63	LV10882-001A	REAR COVER		
64	LV40848-051A	SPACER(P)		
65	LV34812-001A	EARTH SPRING		
66	VKZ4777-001	MINI SCREW	(x6)	
67	QYSPSPU1730M	SCREW	1.7mm x 3mm	
68	QLE0031-001	OEL MODULE		
69	LV43972-001A	OEL INSULATOR		
70	LV43889-001A	SW PWB SHEET		
71	LV40848-050A	SPACER(P)		
72	LV34974-001A	NAME PLATE		
73	LV41843-002A	LASER CAUTION		
74	GE40218-011A	SHEET	(x2)	

△	Symbol No.	Part No.	Part Name	Description	Local
	75	GE40101-001A	PIN CAP	(x8)	
	76	QJJ010-040904	SIN CR C-C WIR		
	77	QUQ105-3003AB	FFC WIRE		
	78	LV43349-001A	POWE IC BKT		
	79	LV43373-001A	REG IC BKT		
△	80	QMFZ039-150-T	FUSE	15A	
	81	QAM0561-001	CAR CABLE		
	82	QAM0560-001	CAR CABLE		
	83	LV34596-004A	REAR BRACKET		
	84	LV43864-001A	WIRE BRACKET		
	85	QYSDST2604Z	SCREW	2.6mm x 4mm	
	86	QYSDST2604Z	SCREW	2.6mm x 4mm	
	87	QYSDST2604Z	SCREW	2.6mm x 4mm(x2)	
	88	QYSDST2604Z	SCREW	2.6mm x 4mm	

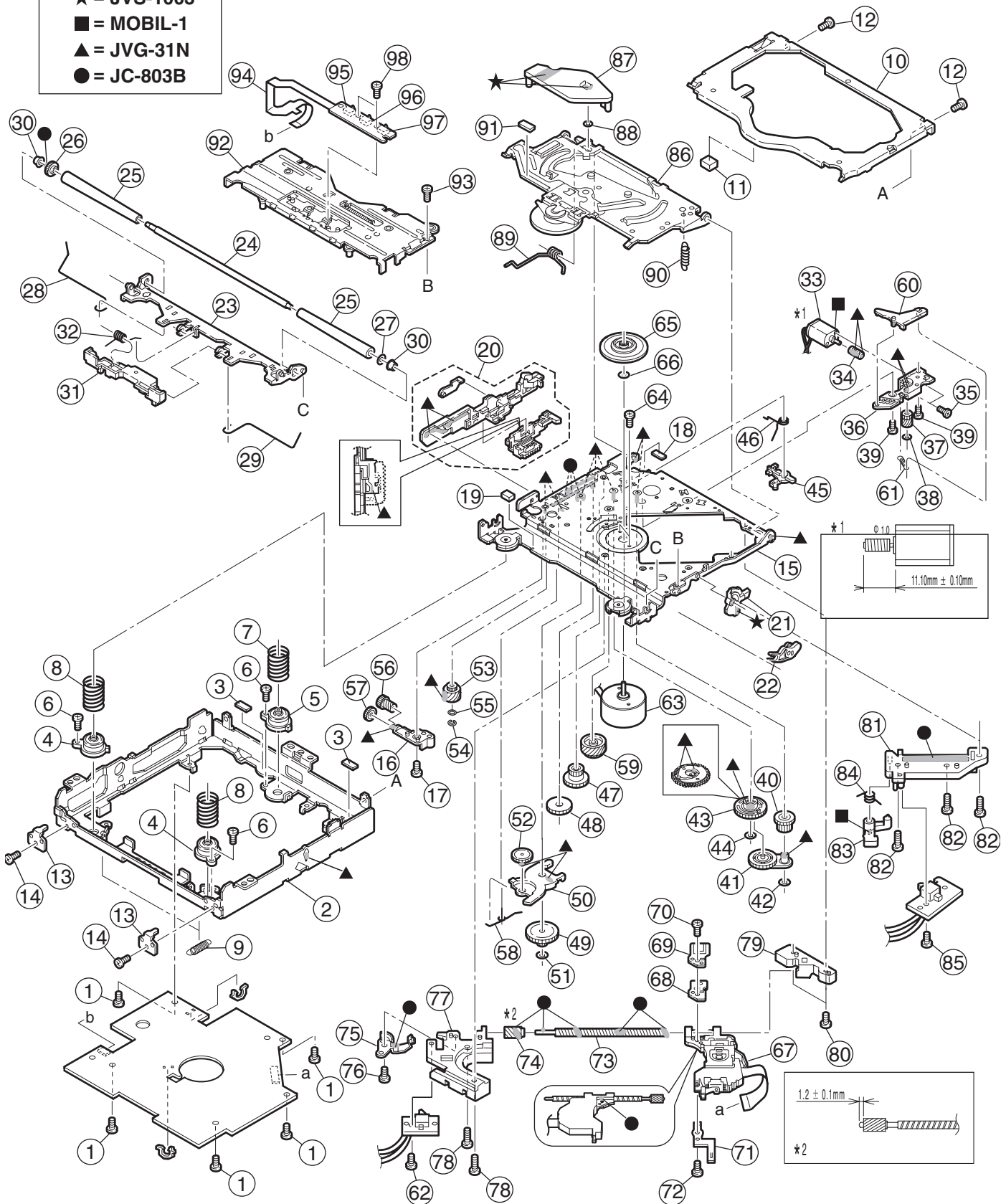
CD mechanism assembly and parts list

Block No. M B M M

FLM-JC1-1D

Grease

- ★ = JVS-1003
- = MOBIL-1
- ▲ = JVG-31N
- = JC-803B



CD mechanism

Block No. [M][B][M][M]

△	Symbol No.	Part No.	Part Name	Description	Local
	1	VKZ4539-026	MINI SCREW	(x5)	
	2	LV10857-001A	CHASSIS FRAME 2		
	3	LV30225-0J6A	SPACER	(x2)	
	4	LV35272-001A	DAMPER(F)	(x2)	
	5	LV35273-001A	DAMPER(R)		
	6	QYSPSTU2045M	TAP SCREW	M2 x 4.5mm(x3)	
	7	LV43039-001A	DAMPER SP.(R)		
	8	LV43849-001A	DAMPER SP(F2)	(x2)	
	9	LV43041-001A	FLOATING SPRING	(x2)	
	10	LV10675-001A	TOP COVER		
	11	LV30225-0J5A	SPACER		
	12	VKZ4539-026	MINI SCREW	(x2)	
	13	LV33669-001A	STOPPER	(x2)	
	14	VKZ4539-026	MINI SCREW	(x2)	
	15	LV21615-001A	CD CHASSIS ASSY		
	16	LV33608-001A	GEAR HOLDER		
	17	VKZ4539-026	MINI SCREW		
	18	LV43561-001A	ABSORBER		
	19	LV30225-0J5A	SPACER		
	20	LV33683-003A	SLIDE CAM ASSY		
	21	LV33610-001A	FLOATING ARM		
	22	LV33611-001A	CONNECT ARM		
	23	LV33678-003A	LOADING A. ASSY		
	24	LV43049-001A	LOADING SHAFT		
	25	LV43052-003A	ROLLER	(x2)	
	26	LV33612-001A	LOADING GEAR		
	27	QYWFM124013	WASHER	4mm/1.2mm x 0.13mm	
	28	LV43053-002A	ROD(L)		
	29	LV43725-001A	ROD(R)		
	30	LV43001-001A	COLLAR	(x2)	
	31	LV21285-001A	PROTECTOR		
	32	LV43055-001A	PROTECTOR SP.		
	33	QAR0144-003	MOTOR		
	34	LV43002-002A	WORM GEAR		
	35	QYSPSPT2025M	MINI SCREW	2mm x 2.5mm(x2)	
	36	LV33679-001A	MOTOR H. ASSY		
	37	LV33614-002A	WORM WHEEL		
	38	QYWDL1230250	SLIT WASHER	3mm/1.2mm x 0.25mm	
	39	VKZ4539-026	MINI SCREW	(x2)	
	40	LV33615-001A	GEAR 2		
	41	LV43057-003A	IDLER ARM ASSY		
	42	QYWDL1635252	SLIT WASHER	3.5mm/1.6mm x 0.25mm	
	43	LV21286-001A	CONTROL CAM		
	44	QYWDL1230250	SLIT WASHER	3mm/1.2mm x 0.25mm	
	45	LV33616-001A	LOAD.LOCK LEVER		
	46	LV43060-001A	CAM SPRING		
	47	LV43005-001A	GEAR 4		
	48	LV43006-001A	GEAR 5		
	49	LV33617-001A	GEAR 6		
	50	LV33618-002A	LOADING G. ARM		
	51	QYWDL1635252	SLIT WASHER	3.5mm/1.6mm x 0.25mm	
	52	LV43007-001A	GEAR 7		
	53	LV33619-002A	GEAR 8		
	54	LV42132-001A	E RING		
	55	QYWFM215013	WASHER	5mm/2.1mm x 0.13mm	
	56	LV33620-001A	GEAR 9		
	57	LV43008-001A	GEAR10		
	58	LV43061-001A	LOAD SPRING		
	59	LV33621-001A	FEED GEAR		
	60	LV33622-001A	TRIGGER ARM		
	61	LV43062-001A	FEED TRI.SPRING		
	62	QYSPSFT2040Z	TAP SCREW	M2 x 4mm	
	63	QAR0305-001	SPINDLE MOTOR		
	64	QYSPSPT1720M	SCREW	M1.7 x 2mm(x2)	
	65	LV43669-002A	T.TABLE ASSY		
	66	QYWFM214025	WASHER	4mm/2.1mm x 0.25mm	
	67	QAL0563-001	PICK UP		
	68	LV34583-002A	CD RACK PLATE		
	69	LV34579-001A	CD RACK SPRING		
	70	LV43903-001A	MINI TAP SCREW		
	71	LV34580-001A	P.S.SPRING		
	72	QYSPSGT1425M	TAP SCREW	1.4mm x 2.5mm	
	73	LV43670-001A	LEAD SCREW		
	74	LV43010-001A	L.S.GEAR		

Symbol No.	Part No.	Part Name	Description	Local
75	LV43011-001A	THRUST SPRING		
76	QYSPSFT2040Z	TAP SCREW	M2 x 4mm	
77	LV21604-003A	L.S.HOLDER 1		
78	VKZ4539-026	MINI SCREW	(x2)	
79	LV34582-002A	L.S.HOLDER 2		
80	VKZ4539-026	MINI SCREW	(x2)	
81	LV34581-001A	SUB GUIDE		
82	VKZ4539-026	MINI SCREW	(x3)	
83	LV34915-001A	SW LEVER		
84	LV43898-001A	S.L.SPRING		
85	QYSPSFT2040Z	TAP SCREW	M2 x 4mm	
86	LV34602-002A	CLAMPER UNIT 2		
87	LV34585-001A	KICK ARM 2		
88	LV43507-001A	SPL WASHER		
89	LV43070-001A	CLAMPER SPRING		
90	LV43355-001A	CLAMPER2 SPRING		
91	LV30225-0J6A	SPACER		
92	LV21616-003A	FRONT UNIT 2		
93	VKZ4539-026	MINI SCREW		
94	LVB30016-001A	SW FPC2		
95	NSW0187-001	SWITCH	S1	
96	NSW0187-001	SWITCH	S2	
97	NSW0187-001	SWITCH	S3	
98	VKZ4539-025	MINI SCREW	(x2)	

Electrical parts list

Main board

Block No. [0][1][0][0]

△ Symbol No.	Part No.	Part Name	Description	Local
△ IC10	SAF7730HV/N114F	IC		
IC11	PHK04P02T-X	POWER MOS FET		
IC165	BD3805F-X	IC		
IC171	LA2900M-X	IC		
IC265	BD3805F-X	IC		
IC271	LA2900M-X	IC		
IC360	NJM4580V-X	IC		
IC362	NJM4565V-X	IC		
IC365	CD4066BPW-X	IC		
IC381	NJM4565V-X	IC		
△ IC401	AK7740VT	IC		
IC411	JCV8009-W	IC		
IC412	AK4385VT-X	IC		
△ IC701	MN101E01LCW	IC		
IC702	PST9121N-X	IC		
IC703	BR24L32F-W-X	IC		
IC710	SN74AHCT126PW-X	IC(DIGITAL)		
IC901	HA13164A	IC		
IC921	NAL0026-001X	D/D CONVERTER		
IC951	TB2901HB	IC		
IC971	NAL0024-002X	D/D CONVERTER		
IC973	TA48033F-X	IC		
IC975	BA33BC0FP-X	IC		
IC976	BA00BC0WFP-X	IC(DIGITAL)		
IC991	BA6956AN	IC		
Q1	2SB815/7/-X	TRANSISTOR		
Q2	UN2211-X	TRANSISTOR		
Q30	UN2211-X	TRANSISTOR		
Q703	UN2213-X	DIGI TRANSISTOR		
Q791	UN2211-X	TRANSISTOR		
Q901	UN2111-X	TRANSISTOR		
Q902	UN2211-X	TRANSISTOR		
Q903	2SB709A/QR/-X	TRANSISTOR		
Q905	UN2111-X	TRANSISTOR		
Q906	UN2211-X	TRANSISTOR		
Q907	UN2111-X	TRANSISTOR		
Q908	UN2211-X	TRANSISTOR		
Q921	2SD601A/RS/-X	TRANSISTOR		
Q922	UN2211-X	TRANSISTOR		
Q941	UN2111-X	TRANSISTOR		
Q942	UN2113-X	TRANSISTOR		
Q943	UN2113-X	TRANSISTOR		
Q951	2SD601A/QR/-X	TRANSISTOR		
Q952	UN2211-X	TRANSISTOR		
Q953	UN2213-X	DIGI TRANSISTOR		
Q954	UN2113-X	TRANSISTOR		
Q971	2SD601A/RS/-X	TRANSISTOR		
Q972	UN2211-X	TRANSISTOR		
Q991	UN2211-X	TRANSISTOR		
Q1451	2SD2114K/VW/-X	TRANSISTOR		
Q1452	2SD2114K/VW/-X	TRANSISTOR		
Q2451	2SD2114K/VW/-X	TRANSISTOR		
Q2452	2SD2114K/VW/-X	TRANSISTOR		
Q3655	UN2211-X	TRANSISTOR		
Q3656	UN2211-X	TRANSISTOR		
Q3801	2SD1781K/QR/-X	TRANSISTOR		
Q7201	UN2211-X	TRANSISTOR		
Q7202	UN2211-X	TRANSISTOR		
Q9001	2SD601A/QR/-X	TRANSISTOR		
Q9051	UN2211-X	TRANSISTOR		
D1	1SS355-X	SI DIODE		
D2	1SS355-X	SI DIODE		
D701	1SS355-X	SI DIODE		
D702	1SS355-X	SI DIODE		
D709	UDZS5.6B-X	Z DIODE	1.5kΩ 1/10W J	
D710	UDZS5.6B-X	Z DIODE	1.5kΩ 1/10W J	
D711	UDZS5.6B-X	Z DIODE	1.5kΩ 1/10W J	
D712	UDZS5.6B-X	Z DIODE	1.5kΩ 1/10W J	
D713	UDZS5.6B-X	Z DIODE	1.5kΩ 1/10W J	
D714	UDZS5.6B-X	Z DIODE	1.5kΩ 1/10W J	

△ Symbol No.	Part No.	Part Name	Description	Local
D715	UDZS5.6B-X	Z DIODE	1.5kΩ 1/10W J	
D716	UDZS5.6B-X	Z DIODE	1.5kΩ 1/10W J	
D717	UDZS5.6B-X	Z DIODE	1.5kΩ 1/10W J	
D718	SML-310LT/MN/-X	LED		
D719	SML-310LT/MN/-X	LED		
D722	UDZS5.6B-X	Z DIODE	1.5kΩ 1/10W J	
D901	1N5401-F64	DIODE		
D904	RB160M-30-X	SB DIODE		
D905	RB160M-30-X	SB DIODE		
D916	RB160M-30-X	SB DIODE		
D917	RB160M-30-X	SB DIODE		
D921	1SR154-400-X	DIODE		
D940	UDZS3.3B-X	Z DIODE		
D941	UDZS11B-X	Z DIODE		
D942	MA152WA-X	DIODE		
D943	MA152WA-X	DIODE		
D944	1SS355-X	SI DIODE		
D952	UDZS11B-X	Z DIODE		
D971	1SR154-400-X	DIODE		
D975	RB160M-30-X	SB DIODE		
D976	RB160M-30-X	SB DIODE		
D991	UDZS3.9B-X	Z DIODE		
D1451	MA152WA-X	DIODE		
D2451	MA152WA-X	DIODE		
D3801	1SS355-X	SI DIODE		
D9051	MA152WA-X	DIODE		
C1	NCB31HK-222X	C CAPACITOR	2200pF 50V K	
C2	QERF1CM-476Z	E CAPACITOR	47uF 16V M	
C3	NCS31HJ-391X	C CAPACITOR	390pF 50V J	
C4	QERF1CM-476Z	E CAPACITOR	47uF 16V M	
C5	NCS31HJ-391X	C CAPACITOR	390pF 50V J	
C7	NCS31HJ-391X	C CAPACITOR	390pF 50V J	
C13	NCS31HJ-391X	C CAPACITOR	390pF 50V J	
C14	NCS31HJ-391X	C CAPACITOR	390pF 50V J	
C21	NCB31HK-102X	C CAPACITOR	1000pF 50V K	
C22	NCB31HK-102X	C CAPACITOR	1000pF 50V K	
C28	NBE20JM-106X	TA E CAPACITOR	10uF 6.3V M	
C29	NBE20JM-106X	TA E CAPACITOR	10uF 6.3V M	
C32	NCS31HJ-180X	C CAPACITOR	18pF 50V J	
C33	NCS31HJ-100X	C CAPACITOR	10pF 50V J	
C34	NBE20JM-475X	TA E CAPACITOR	4.7uF 6.3V M	
C35	NCB31CK-104X	C CAPACITOR	0.1uF 16V K	
C36	NCS31HJ-181X	C CAPACITOR	180pF 50V J	
C37	NCB31HK-103X	C CAPACITOR	0.01uF 50V K	
C40	NCS31HJ-101X	C CAPACITOR	100pF 50V J	
C41	NCB31CK-104X	C CAPACITOR	0.1uF 16V K	
C42	NCB31CK-104X	C CAPACITOR	0.1uF 16V K	
C43	NCB31CK-104X	C CAPACITOR	0.1uF 16V K	
C44	NBE20JM-475X	TA E CAPACITOR	4.7uF 6.3V M	
C45	NBE20JM-475X	TA E CAPACITOR	4.7uF 6.3V M	
C46	NCB31CK-104X	C CAPACITOR	0.1uF 16V K	
C47	NBE20JM-475X	TA E CAPACITOR	4.7uF 6.3V M	
C48	QERF0JM-107Z	E CAPACITOR	100uF 6.3V M	
C50	NBE20JM-226X	TA E CAPACITOR	22uF 6.3V M	
C51	NCB31CK-473X	C CAPACITOR	0.047uF 16V K	
C53	NCB21CK-105X	C CAPACITOR	1uF 16V K	
C54	NBE40JM-476X	TA E CAPACITOR	47uF 6.3V M	
C55	NCB31CK-104X	C CAPACITOR	0.1uF 16V K	
C56	NCS31HJ-101X	C CAPACITOR	100pF 50V J	
C57	NCS31HJ-101X	C CAPACITOR	100pF 50V J	
C58	NBE20JM-475X	TA E CAPACITOR	4.7uF 6.3V M	
C59	NCB31CK-333X	C CAPACITOR	0.033uF 16V K	
C60	NCB31CK-104X	C CAPACITOR	0.1uF 16V K	
C61	QERF0JM-107Z	E CAPACITOR	100uF 6.3V M	
C62	QERF0JM-227Z	E CAPACITOR	220uF 6.3V M	
C63	NCB31EK-223X	C CAPACITOR	0.022uF 25V K	
C64	NCB21CK-105X	C CAPACITOR	1uF 16V K	
C65	NCB31HK-471X	C CAPACITOR	470pF 50V K	
C66	NCS31HJ-101X	C CAPACITOR	100pF 50V J	
C67	NCS31HJ-101X	C CAPACITOR	100pF 50V J	
C68	NCS31HJ-101X	C CAPACITOR	100pF 50V J	
C70	NCS31HJ-101X	C CAPACITOR	100pF 50V J	
C71	NCS31HJ-101X	C CAPACITOR	100pF 50V J	
C72	NRSA63J-473X	MG RESISTOR	47kΩ 1/16W J	
C73	NRSA63J-473X	MG RESISTOR	47kΩ 1/16W J	

△ Symbol No.	Part No.	Part Name	Description	Local	△ Symbol No.	Part No.	Part Name	Description	Local
C74	NRSA63J-473X	MG RESISTOR	47kΩ 1/16W J		C988	NCB31HK-103X	C CAPACITOR	0.01uF 50V K	
C76	NCB31EK-223X	C CAPACITOR	0.022uF 25V K		C989	QERF0JM-107Z	E CAPACITOR	100uF 6.3V M	
C77	NCB31HK-103X	C CAPACITOR	0.01uF 50V K		C991	QERF1AM-107Z	E CAPACITOR	100uF 10V M	
C78	NCB31HK-103X	C CAPACITOR	0.01uF 50V K		C992	NCB31CK-473X	C CAPACITOR	0.047uF 16V K	
C79	NBE20JM-106X	TA E CAPACITOR	10uF 6.3V M		C993	NCB31HK-103X	C CAPACITOR	0.01uF 50V K	
C80	NCB31EK-223X	C CAPACITOR	0.022uF 25V K		C994	NCF31CZ-473X	C CAPACITOR	0.047uF 16V Z	
C82	NCB31EK-223X	C CAPACITOR	0.022uF 25V K		C995	NCB31HK-103X	C CAPACITOR	0.01uF 50V K	
C85	NCF31EZ-104X	C CAPACITOR	0.1uF 25V Z		C1401	QERF1HM-225Z	E CAPACITOR	2.2uF 50V M	
C86	NCF31EZ-104X	C CAPACITOR	0.1uF 25V Z		C1402	NCB31HK-472X	C CAPACITOR	4700pF 50V K	
C88	NBE20JM-106X	TA E CAPACITOR	10uF 6.3V M		C1403	NCS31HJ-101X	C CAPACITOR	100pF 50V J	
C701	NCS31HJ-100X	C CAPACITOR	10pF 50V J		C1404	NCB31CK-102X	C CAPACITOR	1000pF 16V K	
C702	NCS31HJ-100X	C CAPACITOR	10pF 50V J		C1451	NCS31HJ-101X	C CAPACITOR	100pF 50V J	
C703	NCS31HJ-330X	C CAPACITOR	33pF 50V J		C1452	NCS31HJ-101X	C CAPACITOR	100pF 50V J	
C704	NCS31HJ-180X	C CAPACITOR	18pF 50V J		C1501	NCS31HJ-101X	C CAPACITOR	100pF 50V J	
C705	QERF1AM-227Z	E CAPACITOR	220uF 10V M		C1502	NCB30JK-105X	C CAPACITOR	1uF 6.3V K	
C708	QERF1AM-106Z	E CAPACITOR	10uF 10V M		C1601	NCB31HK-102X	C CAPACITOR	1000pF 50V K	
C709	NCB31HK-103X	C CAPACITOR	0.01uF 50V K		C1602	NCS31HJ-391X	C CAPACITOR	390pF 50V J	
C710	NCB31CK-473X	C CAPACITOR	0.047uF 16V K		C1603	NCS31HJ-391X	C CAPACITOR	390pF 50V J	
C712	NCB31HK-103X	C CAPACITOR	0.01uF 50V K		C1607	NBE41AM-476X	TA E CAPACITOR	47uF 10V M	
C713	QERF0JM-337Z	E CAPACITOR	330uF 6.3V M		C1621	NCS31HJ-101X	C CAPACITOR	100pF 50V J	
C714	NCB31HK-103X	C CAPACITOR	0.01uF 50V K		C1622	NCS31HJ-821X	C CAPACITOR	820pF 50V J	
C715	NCB31CK-104X	C CAPACITOR	0.1uF 16V K		C1623	NBE41AM-476X	TA E CAPACITOR	47uF 10V M	
C716	NCB31HK-471X	C CAPACITOR	470pF 50V K		C1624	QERF1EM-475Z	E CAPACITOR	4.7uF 25V M	
C717	NCB31HK-103X	C CAPACITOR	0.01uF 50V K		C1625	NCS31HJ-121X	C CAPACITOR	120pF 50V J	
C718	QERF0JM-337Z	E CAPACITOR	330uF 6.3V M		C1651	QERF1CM-106Z	E CAPACITOR	10uF 16V M	
C719	QERF0JM-337Z	E CAPACITOR	330uF 6.3V M		C1652	QTE1H52-105Z	E CAPACITOR	1uF 50V	
C720	NCB31HK-103X	C CAPACITOR	0.01uF 50V K		C1653	QERF1HM-105Z	E CAPACITOR	1uF 50V M	
C723	NCS31HJ-101X	C CAPACITOR	100pF 50V J		C1654	QERF1CM-106Z	E CAPACITOR	10uF 16V M	
C724	NCF31CZ-473X	C CAPACITOR	0.047uF 16V Z		C1655	NCF31EZ-104X	C CAPACITOR	0.1uF 25V Z	
C725	NCB31HK-103X	C CAPACITOR	0.01uF 50V K		C1700	QTE1E52-475Z	E CAPACITOR	4.7uF 25V	
C726	NCB31HK-103X	C CAPACITOR	0.01uF 50V K		C1701	QERF1CM-226Z	E CAPACITOR	22uF 16V M	
C776	QERF0JM-476Z	E CAPACITOR	47uF 6.3V M		C1702	NCB31CK-104X	C CAPACITOR	0.1uF 16V K	
C777	NCB31HK-103X	C CAPACITOR	0.01uF 50V K		C1703	QERF1AM-107Z	E CAPACITOR	100uF 10V M	
C791	QERF1HM-104Z	E CAPACITOR	0.1uF 50V M		C1704	NCB31HK-152X	C CAPACITOR	1500pF 50V K	
C901	QEZ0675-338	E CAPACITOR	3300uF		C1705	QERF1EM-475Z	E CAPACITOR	4.7uF 25V M	
C902	QERF1CM-226Z	E CAPACITOR	22uF 16V M		C1720	QTE1E52-475Z	E CAPACITOR	4.7uF 25V	
C903	QERF1CM-226Z	E CAPACITOR	22uF 16V M		C1721	QERF1CM-226Z	E CAPACITOR	22uF 16V M	
C904	NCB31HK-103X	C CAPACITOR	0.01uF 50V K		C1722	NCB31CK-104X	C CAPACITOR	0.1uF 16V K	
C905	QERF1AM-107Z	E CAPACITOR	100uF 10V M		C1723	QERF1AM-107Z	E CAPACITOR	100uF 10V M	
C906	NCB31CK-104X	C CAPACITOR	0.1uF 16V K		C1724	NCB31HK-152X	C CAPACITOR	1500pF 50V K	
C907	NCB31HK-103X	C CAPACITOR	0.01uF 50V K		C1725	QERF1EM-475Z	E CAPACITOR	4.7uF 25V M	
C908	QERF1AM-227Z	E CAPACITOR	220uF 10V M		C1751	NFV81CM-105X	MF CAPACITOR	1uF 16V M	
C910	QERF1CM-106Z	E CAPACITOR	10uF 16V M		C1752	NCS31HJ-101X	C CAPACITOR	100pF 50V J	
C911	NCB31CK-104X	C CAPACITOR	0.1uF 16V K		C1771	NFV81CM-105X	MF CAPACITOR	1uF 16V M	
C912	QERF1HM-225Z	E CAPACITOR	2.2uF 50V M		C1772	NCS31HJ-101X	C CAPACITOR	100pF 50V J	
C916	NCB31CK-104X	C CAPACITOR	0.1uF 16V K		C1801	NCB31CK-104X	C CAPACITOR	0.1uF 16V K	
C917	NCB31HK-103X	C CAPACITOR	0.01uF 50V K		C2401	QERF1HM-225Z	E CAPACITOR	2.2uF 50V M	
C921	QERF1CM-107Z	E CAPACITOR	100uF 16V M		C2402	NCB31HK-472X	C CAPACITOR	4700pF 50V K	
C922	NCF31EZ-104X	C CAPACITOR	0.1uF 25V Z		C2403	NCS31HJ-101X	C CAPACITOR	100pF 50V J	
C923	QERF1EM-107Z	E CAPACITOR	100uF 25V M		C2404	NCB31CK-102X	C CAPACITOR	1000pF 16V K	
C941	QERF1CM-107Z	E CAPACITOR	100uF 16V M		C2451	NCS31HJ-101X	C CAPACITOR	100pF 50V J	
C942	QERF0JM-107Z	E CAPACITOR	100uF 6.3V M		C2452	NCS31HJ-101X	C CAPACITOR	100pF 50V J	
C950	QERF1CM-476Z	E CAPACITOR	47uF 16V M		C2501	NCS31HJ-101X	C CAPACITOR	100pF 50V J	
C951	QERF1CM-226Z	E CAPACITOR	22uF 16V M		C2502	NCB30JK-105X	C CAPACITOR	1uF 6.3V K	
C952	NCB31HK-103X	C CAPACITOR	0.01uF 50V K		C2601	NCB31HK-102X	C CAPACITOR	1000pF 50V K	
C953	QERF1CM-106Z	E CAPACITOR	10uF 16V M		C2602	NCS31HJ-391X	C CAPACITOR	390pF 50V J	
C954	QERF1HM-475Z	E CAPACITOR	4.7uF 50V M		C2603	NCS31HJ-391X	C CAPACITOR	390pF 50V J	
C955	QERF1HM-225Z	E CAPACITOR	2.2uF 50V M		C2607	NBE41AM-476X	TA E CAPACITOR	47uF 10V M	
C961	NCS31HJ-101X	C CAPACITOR	100pF 50V J		C2621	NCS31HJ-101X	C CAPACITOR	100pF 50V J	
C962	NCS31HJ-101X	C CAPACITOR	100pF 50V J		C2622	NCS31HJ-821X	C CAPACITOR	820pF 50V J	
C963	NCS31HJ-101X	C CAPACITOR	100pF 50V J		C2623	NBE41AM-476X	TA E CAPACITOR	47uF 10V M	
C964	NCS31HJ-101X	C CAPACITOR	100pF 50V J		C2624	QERF1EM-475Z	E CAPACITOR	4.7uF 25V M	
C965	NCS31HJ-101X	C CAPACITOR	100pF 50V J		C2625	NCS31HJ-121X	C CAPACITOR	120pF 50V J	
C966	NCS31HJ-101X	C CAPACITOR	100pF 50V J		C2651	QERF1CM-106Z	E CAPACITOR	10uF 16V M	
C967	NCS31HJ-101X	C CAPACITOR	100pF 50V J		C2652	QTE1H52-105Z	E CAPACITOR	1uF 50V	
C968	NCS31HJ-101X	C CAPACITOR	100pF 50V J		C2653	QERF1HM-105Z	E CAPACITOR	1uF 50V M	
C970	QERF1HM-225Z	E CAPACITOR	2.2uF 50V M		C2654	QERF1CM-106Z	E CAPACITOR	10uF 16V M	
C971	NCB31CK-104X	C CAPACITOR	0.1uF 16V K		C2655	NCF31EZ-104X	C CAPACITOR	0.1uF 25V Z	
C972	QERF1CM-107Z	E CAPACITOR	100uF 16V M		C2700	QTE1E52-475Z	E CAPACITOR	4.7uF 25V	
C973	NCB31CK-104X	C CAPACITOR	0.1uF 16V K		C2701	QERF1CM-226Z	E CAPACITOR	22uF 16V M	
C974	QERF1CM-107Z	E CAPACITOR	100uF 16V M		C2702	NCB31CK-104X	C CAPACITOR	0.1uF 16V K	
C975	QERF1CM-107Z	E CAPACITOR	100uF 16V M		C2703	QERF1AM-107Z	E CAPACITOR	100uF 10V M	
C976	NCB31HK-103X	C CAPACITOR	0.01uF 50V K		C2704	NCB31HK-152X	C CAPACITOR	1500pF 50V K	
C977	QERF0JM-107Z	E CAPACITOR	100uF 6.3V M		C2705	QERF1EM-475Z	E CAPACITOR	4.7uF 25V M	
C983	QERF1CM-107Z	E CAPACITOR	100uF 16V M		C2720	QTE1E52-475Z	E CAPACITOR	4.7uF 25V	
C984	NCB31HK-103X	C CAPACITOR	0.01uF 50V K		C2721	QERF1CM-226Z	E CAPACITOR	22uF 16V M	
C985	QERF0JM-227Z	E CAPACITOR	220uF 6.3V M		C2722	NCB31CK-104X	C CAPACITOR	0.1uF 16V K	
C987	QERF1CM-107Z	E CAPACITOR	100uF 16V M		C2723	QERF1AM-107Z	E CAPACITOR	100uF 10V M	

△ Symbol No.	Part No.	Part Name	Description	Local	△ Symbol No.	Part No.	Part Name	Description	Local
C2724	NCB31HK-152X	C CAPACITOR	1500pF 50V K		R44	NRSA63J-0R0X	MG RESISTOR	0Ω 1/16W J	
C2725	QERF1EM-475Z	E CAPACITOR	4.7uF 25V M		R45	NRSA02J-0R0X	MG RESISTOR	0Ω 1/10W J	
C2751	NFV81CM-105X	MF CAPACITOR	1uF 16V M		R48	NRSA02J-0R0X	MG RESISTOR	0Ω 1/10W J	
C2752	NCS31HJ-101X	C CAPACITOR	100pF 50V J		R49	NRSA63J-103X	MG RESISTOR	10kΩ 1/16W J	
C2771	NFV81CM-105X	MF CAPACITOR	1uF 16V M		R58	NRSA63J-473X	MG RESISTOR	47kΩ 1/16W J	
C2772	NCS31HJ-101X	C CAPACITOR	100pF 50V J		R60	NRSA02J-100X	MG RESISTOR	10Ω 1/10W J	
C2801	NCB31CK-224X	C CAPACITOR	0.22uF 16V K		R63	NRSA63J-101X	MG RESISTOR	100Ω 1/16W J	
C3401	QERF0JM-476Z	E CAPACITOR	47uF 6.3V M		R64	NRSA63J-101X	MG RESISTOR	100Ω 1/16W J	
C3402	NCB31CK-473X	C CAPACITOR	0.047uF 16V K		R65	NRSA63J-101X	MG RESISTOR	100Ω 1/16W J	
C3403	NCB31CK-473X	C CAPACITOR	0.047uF 16V K		R66	NRSA63J-101X	MG RESISTOR	100Ω 1/16W J	
C3451	NCB31CK-473X	C CAPACITOR	0.047uF 16V K		R67	NRSA63J-101X	MG RESISTOR	100Ω 1/16W J	
C3452	NCS31HJ-101X	C CAPACITOR	100pF 50V J		R68	NRSA63J-101X	MG RESISTOR	100Ω 1/16W J	
C3501	NCB31CK-473X	C CAPACITOR	0.047uF 16V K		R69	NRSA63J-101X	MG RESISTOR	100Ω 1/16W J	
C3603	QERF1CM-226Z	E CAPACITOR	22uF 16V M		R70	NRSA63J-101X	MG RESISTOR	100Ω 1/16W J	
C3623	QERF1CM-226Z	E CAPACITOR	22uF 16V M		R71	NRSA63J-101X	MG RESISTOR	100Ω 1/16W J	
C3655	NCF31EZ-104X	C CAPACITOR	0.1uF 25V Z		R72	NRSA63J-101X	MG RESISTOR	100Ω 1/16W J	
C3701	QERF1AM-476Z	E CAPACITOR	47uF 10V M		R73	NRSA63J-101X	MG RESISTOR	100Ω 1/16W J	
C3721	QERF1AM-476Z	E CAPACITOR	47uF 10V M		R74	NRSA63J-101X	MG RESISTOR	100Ω 1/16W J	
C3801	NCB31HK-332X	C CAPACITOR	3300pF 50V K		R75	NRSA63J-101X	MG RESISTOR	100Ω 1/16W J	
C3803	QERF1EM-475Z	E CAPACITOR	4.7uF 25V M		R76	NRSA63J-101X	MG RESISTOR	100Ω 1/16W J	
C3804	QERF1EM-475Z	E CAPACITOR	4.7uF 25V M		R77	NRSA63J-101X	MG RESISTOR	100Ω 1/16W J	
C3805	QERF0JM-476Z	E CAPACITOR	47uF 6.3V M		R78	NRSA63J-101X	MG RESISTOR	100Ω 1/16W J	
C3806	NCB31HK-222X	C CAPACITOR	2200pF 50V K		R82	NRSA63J-0R0X	MG RESISTOR	0Ω 1/16W J	
C3807	NCB31CK-473X	C CAPACITOR	0.047uF 16V K		R84	NRSA63J-0R0X	MG RESISTOR	0Ω 1/16W J	
C3808	NCF31EZ-104X	C CAPACITOR	0.1uF 25V Z		R85	NRSA63J-0R0X	MG RESISTOR	0Ω 1/16W J	
C3809	NCB31CK-333X	C CAPACITOR	0.033uF 16V K		R91	NRSA63J-0R0X	MG RESISTOR	0Ω 1/16W J	
C3810	NCB31CK-473X	C CAPACITOR	0.047uF 16V K		R92	NRSA63J-0R0X	MG RESISTOR	0Ω 1/16W J	
C3811	NCB31HK-103X	C CAPACITOR	0.01uF 50V K		R93	NRSA63J-0R0X	MG RESISTOR	0Ω 1/16W J	
C4001	NDC31HJ-8R0X	C CAPACITOR	8pF 50V J		R701	NRSA63J-681X	MG RESISTOR	680Ω 1/16W J	
C4002	NDC31HJ-120X	C CAPACITOR	12pF 50V J		R702	NRSA63J-473X	MG RESISTOR	47kΩ 1/16W J	
C4010	NCB31HK-102X	C CAPACITOR	1000pF 50V K		R703	NRSA63J-106X	MG RESISTOR	10MΩ 1/16W J	
C4011	NBE20JM-106X	TA E CAPACITOR	10uF 6.3V M		R704	NRSA63J-473X	MG RESISTOR	47kΩ 1/16W J	
C4012	NCB31HK-102X	C CAPACITOR	1000pF 50V K		R705	NRSA63J-221X	MG RESISTOR	220Ω 1/16W J	
C4027	NCB31HK-103X	C CAPACITOR	0.01uF 50V K		R706	NRSA63J-102X	MG RESISTOR	1kΩ 1/16W J	
C4028	NCB31HK-103X	C CAPACITOR	0.01uF 50V K		R707	NRSA63J-221X	MG RESISTOR	220Ω 1/16W J	
C4030	NCB31HK-102X	C CAPACITOR	1000pF 50V K		R708	NRSA63J-273X	MG RESISTOR	27kΩ 1/16W J	
C4031	NBE20JM-106X	TA E CAPACITOR	10uF 6.3V M		R709	NRSA63J-101X	MG RESISTOR	100Ω 1/16W J	
C4032	NBE20JM-106X	TA E CAPACITOR	10uF 6.3V M		R713	NRSA63J-822X	MG RESISTOR	8.2kΩ 1/16W J	
C4033	NCB31HK-102X	C CAPACITOR	1000pF 50V K		R714	NRSA63J-102X	MG RESISTOR	1kΩ 1/16W J	
C4034	NCB31HK-102X	C CAPACITOR	1000pF 50V K		R715	NRSA63J-102X	MG RESISTOR	1kΩ 1/16W J	
C4035	NBE20JM-106X	TA E CAPACITOR	10uF 6.3V M		R716	NRSA63J-102X	MG RESISTOR	1kΩ 1/16W J	
C4036	NCB31HK-102X	C CAPACITOR	1000pF 50V K		R717	NRSA63J-102X	MG RESISTOR	1kΩ 1/16W J	
C4038	NCB31HK-102X	C CAPACITOR	1000pF 50V K		R719	NRSA63J-0R0X	MG RESISTOR	0Ω 1/16W J	
C4050	NCF31CZ-473X	C CAPACITOR	0.047uF 16V Z		R720	NRSA63J-102X	MG RESISTOR	1kΩ 1/16W J	
C4100	NBE20JM-106X	TA E CAPACITOR	10uF 6.3V M		R721	NRSA63J-102X	MG RESISTOR	1kΩ 1/16W J	
C4101	NCF31CZ-104X	C CAPACITOR	0.1uF 16V Z		R722	NRSA63J-101X	MG RESISTOR	100Ω 1/16W J	
C4102	NCF31CZ-473X	C CAPACITOR	0.047uF 16V Z		R723	NRSA63J-101X	MG RESISTOR	100Ω 1/16W J	
C4130	NCF31CZ-104X	C CAPACITOR	0.1uF 16V Z		R724	NRSA63J-101X	MG RESISTOR	100Ω 1/16W J	
C4131	NBE40JM-476X	TA E CAPACITOR	47uF 6.3V M		R725	NRSA63J-103X	MG RESISTOR	10kΩ 1/16W J	
C4132	NCS31HJ-101X	C CAPACITOR	100pF 50V J		R727	NRSA63J-0R0X	MG RESISTOR	0Ω 1/16W J	
C4133	NCS31HJ-471X	C CAPACITOR	470pF 50V J		R729	NRSA63J-102X	MG RESISTOR	1kΩ 1/16W J	
C4134	QERF1AM-107Z	E CAPACITOR	100uF 10V M		R730	NRSA63J-102X	MG RESISTOR	1kΩ 1/16W J	
C7101	NCB31HK-103X	C CAPACITOR	0.01uF 50V K		R731	NRSA63J-0R0X	MG RESISTOR	0Ω 1/16W J	
C7116	NCS31HJ-101X	C CAPACITOR	100pF 50V J		R732	NRSA63J-0R0X	MG RESISTOR	0Ω 1/16W J	
C7117	NCS31HJ-101X	C CAPACITOR	100pF 50V J		R733	NRSA63J-102X	MG RESISTOR	1kΩ 1/16W J	
C7201	NCB31HK-103X	C CAPACITOR	0.01uF 50V K		R734	NRSA63J-271X	MG RESISTOR	270Ω 1/16W J	
C7202	NCB31HK-103X	C CAPACITOR	0.01uF 50V K		R735	NRSA63J-103X	MG RESISTOR	10kΩ 1/16W J	
C7203	NCB31HK-103X	C CAPACITOR	0.01uF 50V K		R736	NRSA63J-271X	MG RESISTOR	270Ω 1/16W J	
C7204	NCB31HK-103X	C CAPACITOR	0.01uF 50V K		R737	NRSA63J-102X	MG RESISTOR	1kΩ 1/16W J	
C9001	QERF1CM-106Z	E CAPACITOR	10uF 16V M		R738	NRSA63J-102X	MG RESISTOR	1kΩ 1/16W J	
C9051	NCB31CK-104X	C CAPACITOR	0.1uF 16V K		R740	NRSA63J-0R0X	MG RESISTOR	0Ω 1/16W J	
R2	NRSA63J-102X	MG RESISTOR	1kΩ 1/16W J		R741	NRSA63J-102X	MG RESISTOR	1kΩ 1/16W J	
R3	NRSA63J-0R0X	MG RESISTOR	0Ω 1/16W J		R742	NRSA63J-102X	MG RESISTOR	1kΩ 1/16W J	
R4	NRSA63J-0R0X	MG RESISTOR	0Ω 1/16W J		R743	NRSA63J-102X	MG RESISTOR	1kΩ 1/16W J	
R5	NRSA63J-331X	MG RESISTOR	330Ω 1/16W J		R744	NRSA63J-102X	MG RESISTOR	1kΩ 1/16W J	
R6	NRSA63J-331X	MG RESISTOR	330Ω 1/16W J		R745	NRSA63J-102X	MG RESISTOR	1kΩ 1/16W J	
R7	NRSA63J-101X	MG RESISTOR	100Ω 1/16W J		R746	NRSA63J-102X	MG RESISTOR	1kΩ 1/16W J	
R8	NRSA63J-101X	MG RESISTOR	100Ω 1/16W J		R747	NRSA63J-473X	MG RESISTOR	47kΩ 1/16W J	
R9	NRSA63J-273X	MG RESISTOR	27kΩ 1/16W J		R748	NRSA63J-682X	MG RESISTOR	6.8kΩ 1/16W J	
R10	NRSA63J-273X	MG RESISTOR	27kΩ 1/16W J		R749	NRSA63J-102X	MG RESISTOR	1kΩ 1/16W J	
R11	NRS181J-100X	MG RESISTOR	10Ω 1/8W J		R750	NRSA63J-102X	MG RESISTOR	1kΩ 1/16W J	
R12	NRSA63J-103X	MG RESISTOR	10kΩ 1/16W J		R751	NRSA63J-123X	MG RESISTOR	12kΩ 1/16W J	
R13	NRSA63J-102X	MG RESISTOR	1kΩ 1/16W J		R752	NRSA63J-102X	MG RESISTOR	1kΩ 1/16W J	
R40	NRSA63J-101X	MG RESISTOR	100Ω 1/16W J		R753	NRSA63J-0R0X	MG RESISTOR	0Ω 1/16W J	
R41	NRSA63J-100X	MG RESISTOR	10Ω 1/16W J		R754	NRSA63J-223X	MG RESISTOR	22kΩ 1/16W J	
R42	NRSA63J-222X	MG RESISTOR	2.2kΩ 1/16W J		R755	NRSA63J-221X	MG RESISTOR	220Ω 1/16W J	
R43	NRSA63J-222X	MG RESISTOR	2.2kΩ 1/16W J		R756	NRSA63J-221X	MG RESISTOR	220Ω 1/16W J	
					R757	NRSA63J-102X	MG RESISTOR	1kΩ 1/16W J	

△ Symbol No.	Part No.	Part Name	Description	Local	△ Symbol No.	Part No.	Part Name	Description	Local
R758	NRSA63J-473X	MG RESISTOR	47kΩ 1/16W J		R991	NRSA63J-102X	MG RESISTOR	1kΩ 1/16W J	
R759	NRSA63J-102X	MG RESISTOR	1kΩ 1/16W J		R1000	NRS181J-0R0X	MG RESISTOR	0Ω 1/8W J	
R760	NRSA63J-102X	MG RESISTOR	1kΩ 1/16W J		R1001	NRSA63J-0R0X	MG RESISTOR	0Ω 1/16W J	
R761	NRSA63J-0R0X	MG RESISTOR	0Ω 1/16W J		R1401	NRSA63J-682X	MG RESISTOR	6.8kΩ 1/16W J	
R762	NRSA63J-102X	MG RESISTOR	1kΩ 1/16W J		R1402	NRSA63J-473X	MG RESISTOR	47kΩ 1/16W J	
R763	NRSA63J-102X	MG RESISTOR	1kΩ 1/16W J		R1404	NRSA63J-123X	MG RESISTOR	12kΩ 1/16W J	
R764	NRSA63J-102X	MG RESISTOR	1kΩ 1/16W J		R1451	NRSA63J-821X	MG RESISTOR	820Ω 1/16W J	
R765	NRSA63J-102X	MG RESISTOR	1kΩ 1/16W J		R1452	NRSA63J-821X	MG RESISTOR	820Ω 1/16W J	
R766	NRSA63J-102X	MG RESISTOR	1kΩ 1/16W J		R1453	NRSA63J-181X	MG RESISTOR	180Ω 1/16W J	
R767	NRSA63J-102X	MG RESISTOR	1kΩ 1/16W J		R1454	NRSA63J-181X	MG RESISTOR	180Ω 1/16W J	
R768	NRSA63J-224X	MG RESISTOR	220kΩ 1/16W J		R1455	NRSA63J-222X	MG RESISTOR	2.2kΩ 1/16W J	
R769	NRSA63J-224X	MG RESISTOR	220kΩ 1/16W J		R1456	NRSA63J-222X	MG RESISTOR	2.2kΩ 1/16W J	
R770	NRSA63J-224X	MG RESISTOR	220kΩ 1/16W J		R1501	NRSA63J-101X	MG RESISTOR	100Ω 1/16W J	
R771	NRSA63J-821X	MG RESISTOR	820Ω 1/16W J		R1502	NRSA63J-104X	MG RESISTOR	100kΩ 1/16W J	
R772	NRSA63J-821X	MG RESISTOR	820Ω 1/16W J		R1503	NRSA63J-682X	MG RESISTOR	6.8kΩ 1/16W J	
R773	NRSA63J-224X	MG RESISTOR	220kΩ 1/16W J		R1504	NRSA63J-103X	MG RESISTOR	10kΩ 1/16W J	
R774	NRSA63J-473X	MG RESISTOR	47kΩ 1/16W J		R1601	NRSA63J-472X	MG RESISTOR	4.7kΩ 1/16W J	
R775	NRSA63J-222X	MG RESISTOR	2.2kΩ 1/16W J		R1602	NRSA63J-472X	MG RESISTOR	4.7kΩ 1/16W J	
R776	NRSA63J-222X	MG RESISTOR	2.2kΩ 1/16W J		R1603	NRSA63J-392X	MG RESISTOR	3.9kΩ 1/16W J	
R777	NRSA63J-473X	MG RESISTOR	47kΩ 1/16W J		R1604	NRSA63J-392X	MG RESISTOR	3.9kΩ 1/16W J	
R778	NRSA63J-682X	MG RESISTOR	6.8kΩ 1/16W J		R1605	NRSA63J-122X	MG RESISTOR	1.2kΩ 1/16W J	
R779	NRSA63J-682X	MG RESISTOR	6.8kΩ 1/16W J		R1606	NRSA63J-122X	MG RESISTOR	1.2kΩ 1/16W J	
R780	NRSA63J-682X	MG RESISTOR	6.8kΩ 1/16W J		R1607	NRSA63J-102X	MG RESISTOR	1kΩ 1/16W J	
R784	NRSA63J-102X	MG RESISTOR	1kΩ 1/16W J		R1608	NRSA63J-102X	MG RESISTOR	1kΩ 1/16W J	
R785	NRSA63J-102X	MG RESISTOR	1kΩ 1/16W J		R1621	NRSA63J-0R0X	MG RESISTOR	0Ω 1/16W J	
R786	NRSA63J-102X	MG RESISTOR	1kΩ 1/16W J		R1622	NRSA63J-203X	MG RESISTOR	20kΩ 1/16W J	
R787	NRSA63J-102X	MG RESISTOR	1kΩ 1/16W J		R1623	NRSA63J-103X	MG RESISTOR	10kΩ 1/16W J	
R789	NRSA63J-473X	MG RESISTOR	47kΩ 1/16W J		R1624	NRSA63J-103X	MG RESISTOR	10kΩ 1/16W J	
R791	NRSA63J-473X	MG RESISTOR	47kΩ 1/16W J		R1625	NRSA63J-333X	MG RESISTOR	33kΩ 1/16W J	
R793	NRSA63J-473X	MG RESISTOR	47kΩ 1/16W J		R1626	NRSA63J-123X	MG RESISTOR	12kΩ 1/16W J	
R795	NRSA63J-682X	MG RESISTOR	6.8kΩ 1/16W J		R1651	NRSA63J-0R0X	MG RESISTOR	0Ω 1/16W J	
R796	NRSA63J-102X	MG RESISTOR	1kΩ 1/16W J		R1652	NRSA63J-0R0X	MG RESISTOR	0Ω 1/16W J	
R797	NRSA63J-102X	MG RESISTOR	1kΩ 1/16W J		R1653	NRSA63J-103X	MG RESISTOR	10kΩ 1/16W J	
R798	NRSA63J-102X	MG RESISTOR	1kΩ 1/16W J		R1654	NRSA63J-393X	MG RESISTOR	39kΩ 1/16W J	
R799	NRSA63J-102X	MG RESISTOR	1kΩ 1/16W J		R1655	NRSA63J-0R0X	MG RESISTOR	0Ω 1/16W J	
R901	NRSA63J-912X	MG RESISTOR	9.1kΩ 1/16W J		R1700	NRSA63J-104X	MG RESISTOR	100kΩ 1/16W J	
R902	NRSA63J-472X	MG RESISTOR	4.7kΩ 1/16W J		R1701	NRSA63J-102X	MG RESISTOR	1kΩ 1/16W J	
R903	NRSA63J-562X	MG RESISTOR	5.6kΩ 1/16W J		R1702	NRSA63J-243X	MG RESISTOR	24kΩ 1/16W J	
R904	NRSA63J-102X	MG RESISTOR	1kΩ 1/16W J		R1703	NRSA63J-103X	MG RESISTOR	10kΩ 1/16W J	
R905	NRSA63J-103X	MG RESISTOR	10kΩ 1/16W J		R1704	NRSA63J-363X	MG RESISTOR	36kΩ 1/16W J	
R906	NRSA63J-473X	MG RESISTOR	47kΩ 1/16W J		R1705	NRSA63J-221X	MG RESISTOR	220Ω 1/16W J	
R908	NRSA63J-183X	MG RESISTOR	18kΩ 1/16W J		R1720	NRSA63J-104X	MG RESISTOR	100kΩ 1/16W J	
R909	NRSA63J-563X	MG RESISTOR	56kΩ 1/16W J		R1721	NRSA63J-102X	MG RESISTOR	1kΩ 1/16W J	
R910	QRE142J-102X	C RESISTOR	1kΩ 1/4W J		R1722	NRSA63J-243X	MG RESISTOR	24kΩ 1/16W J	
R911	NRS181J-222X	MG RESISTOR	2.2kΩ 1/8W J		R1723	NRSA63J-103X	MG RESISTOR	10kΩ 1/16W J	
R912	NRS181J-222X	MG RESISTOR	2.2kΩ 1/8W J		R1724	NRSA63J-363X	MG RESISTOR	36kΩ 1/16W J	
R913	NRSA63J-102X	MG RESISTOR	1kΩ 1/16W J		R1725	NRSA63J-221X	MG RESISTOR	220Ω 1/16W J	
R916	NRSA63J-472X	MG RESISTOR	4.7kΩ 1/16W J		R1752	NRSA63J-473X	MG RESISTOR	47kΩ 1/16W J	
R917	NRSA63J-103X	MG RESISTOR	10kΩ 1/16W J		R1754	NRSA63J-0R0X	MG RESISTOR	0Ω 1/16W J	
R918	NRSA63J-473X	MG RESISTOR	47kΩ 1/16W J		R1772	NRSA63J-473X	MG RESISTOR	47kΩ 1/16W J	
R920	NRSA63-183X	MG RESISTOR			R1774	NRSA63J-0R0X	MG RESISTOR	0Ω 1/16W J	
R921	NRSA63J-102X	MG RESISTOR	1kΩ 1/16W J		R1801	NRSA63J-101X	MG RESISTOR	100Ω 1/16W J	
R922	NRSA63J-273X	MG RESISTOR	27kΩ 1/16W J		R2401	NRSA63J-682X	MG RESISTOR	6.8kΩ 1/16W J	
R923	NRSA63J-822X	MG RESISTOR	8.2kΩ 1/16W J		R2402	NRSA63J-473X	MG RESISTOR	47kΩ 1/16W J	
R924	NRSA63J-753X	MG RESISTOR	75kΩ 1/16W J		R2404	NRSA63J-123X	MG RESISTOR	12kΩ 1/16W J	
R925	NRSA63J-473X	MG RESISTOR	47kΩ 1/16W J		R2451	NRSA63J-821X	MG RESISTOR	820Ω 1/16W J	
R926	NRSA63J-184X	MG RESISTOR	180kΩ 1/16W J		R2452	NRSA63J-821X	MG RESISTOR	820Ω 1/16W J	
R935	NRSA63J-513X	MG RESISTOR	51kΩ 1/16W J		R2453	NRSA63J-181X	MG RESISTOR	180Ω 1/16W J	
R940	NRSA63J-101X	MG RESISTOR	100Ω 1/16W J		R2454	NRSA63J-181X	MG RESISTOR	180Ω 1/16W J	
R941	NRSA63J-0R0X	MG RESISTOR	0Ω 1/16W J		R2455	NRSA63J-222X	MG RESISTOR	2.2kΩ 1/16W J	
R942	NRSA63J-101X	MG RESISTOR	100Ω 1/16W J		R2456	NRSA63J-222X	MG RESISTOR	2.2kΩ 1/16W J	
R950	NRSA63J-473X	MG RESISTOR	47kΩ 1/16W J		R2501	NRSA63J-101X	MG RESISTOR	100Ω 1/16W J	
R951	NRSA63J-222X	MG RESISTOR	2.2kΩ 1/16W J		R2502	NRSA63J-104X	MG RESISTOR	100kΩ 1/16W J	
R952	NRSA63J-273X	MG RESISTOR	27kΩ 1/16W J		R2503	NRSA63J-682X	MG RESISTOR	6.8kΩ 1/16W J	
R953	NRSA63J-103X	MG RESISTOR	10kΩ 1/16W J		R2504	NRSA63J-103X	MG RESISTOR	10kΩ 1/16W J	
R954	NRSA63J-0R0X	MG RESISTOR	0Ω 1/16W J		R2601	NRSA63J-472X	MG RESISTOR	4.7kΩ 1/16W J	
R955	NRSA63J-473X	MG RESISTOR	47kΩ 1/16W J		R2602	NRSA63J-472X	MG RESISTOR	4.7kΩ 1/16W J	
R970	NRSA02J-0R0X	MG RESISTOR	0Ω 1/10W J		R2603	NRSA63J-392X	MG RESISTOR	3.9kΩ 1/16W J	
R971	NRSA02J-222X	MG RESISTOR	2.2kΩ 1/10W J		R2604	NRSA63J-392X	MG RESISTOR	3.9kΩ 1/16W J	
R972	NRSA02J-102X	MG RESISTOR	1kΩ 1/10W J		R2605	NRSA63J-122X	MG RESISTOR	1.2kΩ 1/16W J	
R973	NRSA63J-473X	MG RESISTOR	47kΩ 1/16W J		R2606	NRSA63J-122X	MG RESISTOR	1.2kΩ 1/16W J	
R974	NRSA63J-101X	MG RESISTOR	100Ω 1/16W J		R2607	NRSA63J-102X	MG RESISTOR	1kΩ 1/16W J	
R975	NRSA63J-393X	MG RESISTOR	39kΩ 1/16W J		R2608	NRSA63J-102X	MG RESISTOR	1kΩ 1/16W J	
R976	NRSA63J-393X	MG RESISTOR	39kΩ 1/16W J		R2621	NRSA63J-0R0X	MG RESISTOR	0Ω 1/16W J	
R977	NRSA63J-103X	MG RESISTOR	10kΩ 1/16W J		R2622	NRSA63J-203X	MG RESISTOR	20kΩ 1/16W J	
R978	NRS181J-220X	MG RESISTOR	22Ω 1/8W J		R2623	NRSA63J-103X	MG RESISTOR	10kΩ 1/16W J	
R979	NRS181J-220X	MG RESISTOR	22Ω 1/8W J		R2624	NRSA63J-103X	MG RESISTOR	10kΩ 1/16W J	
R980	NRSA63J-0R0X	MG RESISTOR	0Ω 1/16W J		R2625	NRSA63J-333X	MG RESISTOR	33kΩ 1/16W J	

△ Symbol No.	Part No.	Part Name	Description	Local	△ Symbol No.	Part No.	Part Name	Description	Local
R2626	NRSA63J-123X	MG RESISTOR	12kΩ 1/16W J		R4134	NRSA63J-102X	MG RESISTOR	1kΩ 1/16W J	
R2651	NRSA63J-0R0X	MG RESISTOR	0Ω 1/16W J		R4135	NRSA63J-102X	MG RESISTOR	1kΩ 1/16W J	
R2652	NRSA63J-0R0X	MG RESISTOR	0Ω 1/16W J		R7101	NRSA63J-333X	MG RESISTOR	33kΩ 1/16W J	
R2653	NRSA63J-103X	MG RESISTOR	10kΩ 1/16W J		R7102	NRSA63J-183X	MG RESISTOR	18kΩ 1/16W J	
R2654	NRSA63J-393X	MG RESISTOR	39kΩ 1/16W J		R7103	NRSA63J-0R0X	MG RESISTOR	0Ω 1/16W J	
R2655	NRSA63J-0R0X	MG RESISTOR	0Ω 1/16W J		R7104	NRSA63J-102X	MG RESISTOR	1kΩ 1/16W J	
R2700	NRSA63J-104X	MG RESISTOR	100kΩ 1/16W J		R7105	NRSA63J-104X	MG RESISTOR	100kΩ 1/16W J	
R2701	NRSA63J-102X	MG RESISTOR	1kΩ 1/16W J		R7106	NRSA63J-104X	MG RESISTOR	100kΩ 1/16W J	
R2702	NRSA63J-243X	MG RESISTOR	24kΩ 1/16W J		R7107	NRSA63J-101X	MG RESISTOR	100Ω 1/16W J	
R2703	NRSA63J-103X	MG RESISTOR	10kΩ 1/16W J		R7110	NRSA63J-101X	MG RESISTOR	100Ω 1/16W J	
R2704	NRSA63J-363X	MG RESISTOR	36kΩ 1/16W J		R7111	NRSA63J-104X	MG RESISTOR	100kΩ 1/16W J	
R2705	NRSA63J-221X	MG RESISTOR	220Ω 1/16W J		R7112	NRSA63J-392X	MG RESISTOR	3.9kΩ 1/16W J	
R2720	NRSA63J-104X	MG RESISTOR	100kΩ 1/16W J		R7113	NRSA63J-102X	MG RESISTOR	1kΩ 1/16W J	
R2721	NRSA63J-102X	MG RESISTOR	1kΩ 1/16W J		R7114	NRSA63J-0R0X	MG RESISTOR	0Ω 1/16W J	
R2722	NRSA63J-243X	MG RESISTOR	24kΩ 1/16W J		R7115	NRSA63J-0R0X	MG RESISTOR	0Ω 1/16W J	
R2723	NRSA63J-103X	MG RESISTOR	10kΩ 1/16W J		R7116	NRSA63J-104X	MG RESISTOR	100kΩ 1/16W J	
R2724	NRSA63J-363X	MG RESISTOR	36kΩ 1/16W J		R7117	NRSA63J-104X	MG RESISTOR	100kΩ 1/16W J	
R2725	NRSA63J-221X	MG RESISTOR	220Ω 1/16W J		R7118	NRSA63J-682X	MG RESISTOR	6.8kΩ 1/16W J	
R2752	NRSA63J-473X	MG RESISTOR	47kΩ 1/16W J		R7119	NRSA63J-102X	MG RESISTOR	1kΩ 1/16W J	
R2754	NRSA63J-0R0X	MG RESISTOR	0Ω 1/16W J		R7202	NRSA63J-0R0X	MG RESISTOR	0Ω 1/16W J	
R2772	NRSA63J-473X	MG RESISTOR	47kΩ 1/16W J		R7203	NRSA63J-0R0X	MG RESISTOR	0Ω 1/16W J	
R2774	NRSA63J-0R0X	MG RESISTOR	0Ω 1/16W J		R7301	NRSA63J-102X	MG RESISTOR	1kΩ 1/16W J	
R2801	NRSA63J-101X	MG RESISTOR	100Ω 1/16W J		R7302	NRSA63J-102X	MG RESISTOR	1kΩ 1/16W J	
R3401	NRSA63J-473X	MG RESISTOR	47kΩ 1/16W J		R7303	NRSA63J-102X	MG RESISTOR	1kΩ 1/16W J	
R3403	NRSA63J-471X	MG RESISTOR	470Ω 1/16W J		R7304	NRSA63J-102X	MG RESISTOR	1kΩ 1/16W J	
R3405	NRSA63J-100X	MG RESISTOR	10Ω 1/16W J		R7311	NRSA63J-102X	MG RESISTOR	1kΩ 1/16W J	
R3603	NRSA63J-0R0X	MG RESISTOR	0Ω 1/16W J		R7312	NRSA63J-102X	MG RESISTOR	1kΩ 1/16W J	
R3623	NRSA63J-0R0X	MG RESISTOR	0Ω 1/16W J		R7313	NRSA63J-102X	MG RESISTOR	1kΩ 1/16W J	
R3651	NRSA63J-472X	MG RESISTOR	4.7kΩ 1/16W J		R7314	NRSA63J-102X	MG RESISTOR	1kΩ 1/16W J	
R3655	NRSA63J-222X	MG RESISTOR	2.2kΩ 1/16W J		R7315	NRSA63J-102X	MG RESISTOR	1kΩ 1/16W J	
R3656	NRSA63J-222X	MG RESISTOR	2.2kΩ 1/16W J		R7316	NRSA63J-102X	MG RESISTOR	1kΩ 1/16W J	
R3801	NRSA63J-223X	MG RESISTOR	22kΩ 1/16W J		R7317	NRSA63J-102X	MG RESISTOR	1kΩ 1/16W J	
R3802	NRSA63J-103X	MG RESISTOR	10kΩ 1/16W J		R7318	NRSA63J-102X	MG RESISTOR	1kΩ 1/16W J	
R3803	NRSA63J-104X	MG RESISTOR	100kΩ 1/16W J		R7319	NRSA63J-102X	MG RESISTOR	1kΩ 1/16W J	
R3804	NRSA63J-473X	MG RESISTOR	47kΩ 1/16W J		R7401	NRSA63J-0R0X	MG RESISTOR	0Ω 1/16W J	
R3805	NRSA63J-821X	MG RESISTOR	820Ω 1/16W J		R7402	NRSA63J-0R0X	MG RESISTOR	0Ω 1/16W J	
R3807	NRSA63J-222X	MG RESISTOR	2.2kΩ 1/16W J		R9001	NRSA63J-104X	MG RESISTOR	100kΩ 1/16W J	
R3808	NRSA63J-103X	MG RESISTOR	10kΩ 1/16W J		R9002	NRSA63J-103X	MG RESISTOR	10kΩ 1/16W J	
R3809	NRSA63J-103X	MG RESISTOR	10kΩ 1/16W J		R9003	NRSA63J-473X	MG RESISTOR	47kΩ 1/16W J	
R3810	NRSA63J-273X	MG RESISTOR	27kΩ 1/16W J		R9051	NRSA63J-473X	MG RESISTOR	47kΩ 1/16W J	
R3811	NRSA63J-273X	MG RESISTOR	27kΩ 1/16W J		R9052	NRSA63J-102X	MG RESISTOR	1kΩ 1/16W J	
R3812	NRSA63J-273X	MG RESISTOR	27kΩ 1/16W J		L1	NQL79GM-4R7X	COIL	4.7uH M	
R4001	NRSA63J-101X	MG RESISTOR	100Ω 1/16W J		L30	NQR0129-003X	FERRITE BESDA		
R4010	NRSA63J-102X	MG RESISTOR	1kΩ 1/16W J		L31	NQL093K-2R2X	COIL	2.2uH K	
R4011	NRSA63J-473X	MG RESISTOR	47kΩ 1/16W J		L40	NQR0129-003X	FERRITE BESDA		
R4013	NRSA63J-102X	MG RESISTOR	1kΩ 1/16W J		L61	NQR0129-003X	FERRITE BESDA		
R4014	NRSA63J-102X	MG RESISTOR	1kΩ 1/16W J		L62	NRSA63J-0R0X	MG RESISTOR	0Ω 1/16W J	
R4015	NRSA63J-102X	MG RESISTOR	1kΩ 1/16W J		L63	NQL093K-1R8X	COIL	1.8uH K	
R4016	NRSA63J-102X	MG RESISTOR	1kΩ 1/16W J		L701	NQL79GM-100X	COIL	10uH M	
R4017	NRSA63J-102X	MG RESISTOR	1kΩ 1/16W J		L702	NRSA63J-0R0X	MG RESISTOR	0Ω 1/16W J	
R4018	NRSA63J-102X	MG RESISTOR	1kΩ 1/16W J		L704	NQL79GM-4R7X	COIL	4.7uH M	
R4051	NRSA63J-331X	MG RESISTOR	330Ω 1/16W J		L705	NQL79GM-4R7X	COIL	4.7uH M	
R4053	NRSA63J-102X	MG RESISTOR	1kΩ 1/16W J		L706	NQL79GM-4R7X	COIL	4.7uH M	
R4054	NRSA63J-331X	MG RESISTOR	330Ω 1/16W J		L921	NRSA63J-0R0X	MG RESISTOR	0Ω 1/16W J	
R4055	NRSA63J-221X	MG RESISTOR	220Ω 1/16W J		L4001	NQL382M-470X	COIL	47uH M	
R4056	NRSA63J-0R0X	MG RESISTOR	0Ω 1/16W J		L4002	NQL382M-470X	COIL	47uH M	
R4057	NRSA63J-0R0X	MG RESISTOR	0Ω 1/16W J		L4003	NQL093K-1R8X	COIL	1.8uH K	
R4068	NRSA63J-102X	MG RESISTOR	1kΩ 1/16W J		L4101	NQL79GM-470X	COIL	47uH M	
R4100	NRSA63J-102X	MG RESISTOR	1kΩ 1/16W J		L4130	NQL382M-470X	COIL	47uH M	
R4101	NRSA63J-102X	MG RESISTOR	1kΩ 1/16W J		L7201	NQL79GM-470X	COIL	47uH M	
R4102	NRSA63J-102X	MG RESISTOR	1kΩ 1/16W J		BZ791	QAN0023-001Z	BUZZER		
R4103	NRSA63J-102X	MG RESISTOR	1kΩ 1/16W J		CN345	QGA2501C1-07	CONNECTOR	W-B (1-7)	
R4104	NRSA63J-102X	MG RESISTOR	1kΩ 1/16W J		CN351	QNZ0095-001	CONNECTOR		
R4105	NRSA63J-102X	MG RESISTOR	1kΩ 1/16W J		CN381	QGA2501C1-06	CONNECTOR	W-B (1-6)	
R4106	NRSA63J-102X	MG RESISTOR	1kΩ 1/16W J		CN701	QGF1041C1-16W	CONNECTOR	FFC/FPC (1-16)	
R4108	NRSA63J-473X	MG RESISTOR	47kΩ 1/16W J		CN721	QGB2027M5-20S	CONNECTOR	B-B (1-20)	
R4109	NRSA63J-473X	MG RESISTOR	47kΩ 1/16W J		CN901	QNZ0090-001	CAR CONNECTOR		
R4110	NRSA63J-473X	MG RESISTOR	47kΩ 1/16W J		CN991	QGA2501C1-02	CONNECTOR	W-B (1-2)	
R4111	NRSA63J-473X	MG RESISTOR	47kΩ 1/16W J		CN992	QGA2001C1-04	CONNECTOR	W-B (1-4)	
R4112	NRSA63J-470X	MG RESISTOR	47Ω 1/16W J		J1	QAM0556-002	CAR CABLE		
R4113	NRSA63J-331X	MG RESISTOR	330Ω 1/16W J		PP1	QZW0010-001	STYLE PIN		
R4114	NRSA63J-331X	MG RESISTOR	330Ω 1/16W J		PP2	QZW0010-001	STYLE PIN		
R4115	NRSA63J-331X	MG RESISTOR	330Ω 1/16W J		PP3	QZW0010-001	STYLE PIN		
R4130	NRSA63J-0R0X	MG RESISTOR	0Ω 1/16W J		TH901	NAD0036-224X	N THERMISTOR	220kΩ	
R4131	NRSA63J-470X	MG RESISTOR	47Ω 1/16W J		TH902	NAD0031-002X	N THERMISTOR	Ω	
R4132	NRSA63J-102X	MG RESISTOR	1kΩ 1/16W J		△ TU1	QAU0325-001	TUNER PACK		
R4133	NRSA63J-102X	MG RESISTOR	1kΩ 1/16W J						

Symbol No.	Part No.	Part Name	Description	Local
X1	QAX0781-001Z	CRYSTAL		
X701	QAX0782-001Z	CRYSTAL		
X702	QAX0401-001	CRYSTAL	32.768KHz	
X4001	NAX0664-001X	CRYSTAL		

Front board

Block No. [0][2][0][0]

Symbol No.	Part No.	Part Name	Description	Local
IC461	RPM6938-SV4	IC		
IC471	M68AW512ML70ND6	IC(DIGITAL)		
IC481	SN74AHC2G08U-X	IC		
IC482	SN74AHC2G08U-X	IC		
IC483	SN74AHC2G08U-X	IC		
IC484	SN74AHC2G08U-X	IC		
IC491	LH28F320BFHET72	I.C(FLASH		
△IC801	MN103S57GDD	IC		
IC881	IC-PST3424U-X	IC		
Q441	2SB709A/QR/-X	TRANSISTOR		
Q442	2SB709A/QR/-X	TRANSISTOR		
Q472	UN211L-X	TRANSISTOR		
Q481	UN2111-X	TRANSISTOR		
Q881	2SD601A/QR/-X	TRANSISTOR		
D401	UDZS6.2B-X	Z DIODE		
D402	UDZS6.2B-X	Z DIODE		
D403	UDZS6.2B-X	Z DIODE		
D404	UDZS6.2B-X	Z DIODE		
D405	UDZS6.2B-X	Z DIODE		
D406	UDZS6.2B-X	Z DIODE		
D407	UDZS6.2B-X	Z DIODE		
D408	UDZS6.2B-X	Z DIODE		
D410	SML-310LT/MN/-X	LED		
D411	SML-310LT/MN/-X	LED		
D412	SML-310LT/MN/-X	LED		
D413	SML-310LT/MN/-X	LED		
D414	SML-310LT/MN/-X	LED		
D415	SML-310LT/MN/-X	LED		
D416	SML-310LT/MN/-X	LED		
D417	SML-310LT/MN/-X	LED		
D418	NECW050A/BPQ/-X	E CAPACITOR	#NCVpF 0	
D419	NECBB205/WQR/-X	E CAPACITOR	#NCVpF 0	
D420	NECBB205/WQR/-X	E CAPACITOR	#NCVpF 0	
D421	NECBB205/WQR/-X	E CAPACITOR	#NCVpF 0	
D422	NECBB205/WQR/-X	E CAPACITOR	#NCVpF 0	
D423	NECBB205/WQR/-X	E CAPACITOR	#NCVpF 0	
D424	NECBB205/WQR/-X	E CAPACITOR	#NCVpF 0	
D425	SML-310LT/MN/-X	LED		
D426	MA152WK-X	SI DIODE		
D434	UDZS6.2B-X	Z DIODE		
D441	MA152WK-X	SI DIODE		
D474	1SS400-X	SI DIODE		
D478	1SS400-X	SI DIODE		
D881	MA152WA-X	DIODE		
D882	1SS355-X	SI DIODE		
C461	NBE20JM-475X	TA E CAPACITOR	4.7uF 6.3V M	
C471	NCS31HJ-471X	C CAPACITOR	470pF 50V J	
C472	NCB31CK-473X	C CAPACITOR	0.047uF 16V K	
C473	NBE20JM-106X	TA E CAPACITOR	10uF 6.3V M	
C481	NCB31HK-103X	C CAPACITOR	0.01uF 50V K	
C483	NCB31HK-103X	C CAPACITOR	0.01uF 50V K	
C491	NCS31HJ-471X	C CAPACITOR	470pF 50V J	
C492	NCB31CK-473X	C CAPACITOR	0.047uF 16V K	
C493	NBE20JM-106X	TA E CAPACITOR	10uF 6.3V M	
C801	NCF31CZ-473X	C CAPACITOR	0.047uF 16V Z	
C802	NBE20JM-106X	TA E CAPACITOR	10uF 6.3V M	
C804	NCB31HK-102X	C CAPACITOR	1000pF 50V K	
C805	NCB31HK-102X	C CAPACITOR	1000pF 50V K	
C806	NCB31HK-102X	C CAPACITOR	1000pF 50V K	
C807	NCB31CK-473X	C CAPACITOR	0.047uF 16V K	
C871	NBE20JM-106X	TA E CAPACITOR	10uF 6.3V M	

Symbol No.	Part No.	Part Name	Description	Local
C872	NCB31HK-102X	C CAPACITOR	1000pF 50V K	
C873	NCB11EM-105X	C CAPACITOR	1uF 25V M	
C874	NCB31HK-102X	C CAPACITOR	1000pF 50V K	
C875	NQR0450-001X	EMI FILTER	0.022uF 50V M	
C876	NQR0450-001X	EMI FILTER	0.022uF 50V M	
C881	NBE20JM-475X	TA E CAPACITOR	4.7uF 6.3V M	
C882	NCB31CK-473X	C CAPACITOR	0.047uF 16V K	
C891	NBE20JM-106X	TA E CAPACITOR	10uF 6.3V M	
C892	NCB31CK-473X	C CAPACITOR	0.047uF 16V K	
R408	NRSA63J-821X	MG RESISTOR	820Ω 1/16W J	
R409	NRSA63J-821X	MG RESISTOR	820Ω 1/16W J	
R410	NRSA63J-821X	MG RESISTOR	820Ω 1/16W J	
R411	NRSA63J-821X	MG RESISTOR	820Ω 1/16W J	
R412	NRSA63J-821X	MG RESISTOR	820Ω 1/16W J	
R413	NRSA63J-821X	MG RESISTOR	820Ω 1/16W J	
R414	NRSA63J-821X	MG RESISTOR	820Ω 1/16W J	
R415	NRSA63J-821X	MG RESISTOR	820Ω 1/16W J	
R416	NRSA63J-102X	MG RESISTOR	1kΩ 1/16W J	
R417	NRSA63J-102X	MG RESISTOR	1kΩ 1/16W J	
R418	NRSA63J-102X	MG RESISTOR	1kΩ 1/16W J	
R420	NRSA63J-102X	MG RESISTOR	1kΩ 1/16W J	
R422	NRSA63J-102X	MG RESISTOR	1kΩ 1/16W J	
R424	NRSA63J-102X	MG RESISTOR	1kΩ 1/16W J	
R426	NRSA63J-122X	MG RESISTOR	1.2kΩ 1/16W J	
R427	NRSA63J-122X	MG RESISTOR	1.2kΩ 1/16W J	
R428	NRSA63J-122X	MG RESISTOR	1.2kΩ 1/16W J	
R429	NRSA63J-122X	MG RESISTOR	1.2kΩ 1/16W J	
R430	NRSA63J-122X	MG RESISTOR	1.2kΩ 1/16W J	
R431	NRSA63J-122X	MG RESISTOR	1.2kΩ 1/16W J	
R432	NRSA63J-102X	MG RESISTOR	1kΩ 1/16W J	
R433	NRSA63J-102X	MG RESISTOR	1kΩ 1/16W J	
R434	NRSA63J-0R0X	MG RESISTOR	0Ω 1/16W J	
R441	NRSA63J-152X	MG RESISTOR	1.5kΩ 1/16W J	
R442	NRSA63J-301X	MG RESISTOR	300Ω 1/16W J	
R443	NRSA63J-271X	MG RESISTOR	270Ω 1/16W J	
R444	NRSA63J-391X	MG RESISTOR	390Ω 1/16W J	
R445	NRSA63J-561X	MG RESISTOR	560Ω 1/16W J	
R446	NRSA63J-821X	MG RESISTOR	820Ω 1/16W J	
R447	NRSA63J-152X	MG RESISTOR	1.5kΩ 1/16W J	
R448	NRSA63J-152X	MG RESISTOR	1.5kΩ 1/16W J	
R449	NRSA63J-301X	MG RESISTOR	300Ω 1/16W J	
R450	NRSA63J-271X	MG RESISTOR	270Ω 1/16W J	
R451	NRSA63J-391X	MG RESISTOR	390Ω 1/16W J	
R452	NRSA63J-561X	MG RESISTOR	560Ω 1/16W J	
R453	NRSA63J-821X	MG RESISTOR	820Ω 1/16W J	
R454	NRSA63J-473X	MG RESISTOR	47kΩ 1/16W J	
R455	NRSA63J-473X	MG RESISTOR	47kΩ 1/16W J	
R456	NRSA63J-474X	MG RESISTOR	470kΩ 1/16W J	
R463	NRSA63J-0R0X	MG RESISTOR	0Ω 1/16W J	
R464	NRSA63J-470X	MG RESISTOR	47Ω 1/16W J	
R482	NRSA63J-681X	MG RESISTOR	680Ω 1/16W J	
R483	NRSA63J-0R0X	MG RESISTOR	0Ω 1/16W J	
R492	NRSA63J-103X	MG RESISTOR	10kΩ 1/16W J	
R801	NRSA63J-102X	MG RESISTOR	1kΩ 1/16W J	
R802	NRSA63J-102X	MG RESISTOR	1kΩ 1/16W J	
R803	NRSA63J-102X	MG RESISTOR	1kΩ 1/16W J	
R804	NRSA63J-102X	MG RESISTOR	1kΩ 1/16W J	
R805	NRSA63J-102X	MG RESISTOR	1kΩ 1/16W J	
R806	NRSA63J-102X	MG RESISTOR	1kΩ 1/16W J	
R807	NRSA63J-102X	MG RESISTOR	1kΩ 1/16W J	
R808	NRSA63J-102X	MG RESISTOR	1kΩ 1/16W J	
R809	NRSA63J-102X	MG RESISTOR	1kΩ 1/16W J	
R810	NRSA63J-102X	MG RESISTOR	1kΩ 1/16W J	
R811	NRSA63J-102X	MG RESISTOR	1kΩ 1/16W J	
R812	NRSA63J-102X	MG RESISTOR	1kΩ 1/16W J	
R813	NRSA63J-102X	MG RESISTOR	1kΩ 1/16W J	
R814	NRSA63J-102X	MG RESISTOR	1kΩ 1/16W J	
R815	NRSA63J-102X	MG RESISTOR	1kΩ 1/16W J	
R816	NRSA63J-102X	MG RESISTOR	1kΩ 1/16W J	
R817	NRSA63J-102X	MG RESISTOR	1kΩ 1/16W J	
R818	NRSA63J-102X	MG RESISTOR	1kΩ 1/16W J	
R819	NRSA63J-102X	MG RESISTOR	1kΩ 1/16W J	
R820	NRSA63J-102X	MG RESISTOR	1kΩ 1/16W J	
R821	NRSA63J-821X	MG RESISTOR	820Ω 1/16W J	
R822	NRSA63J-821X	MG RESISTOR	820Ω 1/16W J	
R823	NRSA63J-102X	MG RESISTOR	1kΩ 1/16W J	
R825	NRSA63J-471X	MG RESISTOR	470Ω 1/16W J	

△ Symbol No. Part No. Part Name Description Local

CD module board

Block No. [0][3][0][0]

Symbol No.	Part No.	Part Name	Description	Local
R826	NRSA63J-821X	MG RESISTOR	820Ω 1/16W J	
R827	NRSA63J-821X	MG RESISTOR	820Ω 1/16W J	
R828	NRSA63J-821X	MG RESISTOR	820Ω 1/16W J	
R829	NRSA63J-821X	MG RESISTOR	820Ω 1/16W J	
R831	NRSA63J-102X	MG RESISTOR	1kΩ 1/16W J	
R832	NRSA63J-102X	MG RESISTOR	1kΩ 1/16W J	
R833	NRSA63J-102X	MG RESISTOR	1kΩ 1/16W J	
R834	NRSA63J-102X	MG RESISTOR	1kΩ 1/16W J	
R835	NRSA63J-102X	MG RESISTOR	1kΩ 1/16W J	
R837	NRSA63J-102X	MG RESISTOR	1kΩ 1/16W J	
R839	NRSA63J-102X	MG RESISTOR	1kΩ 1/16W J	
R840	NRSA63J-0R0X	MG RESISTOR	0Ω 1/16W J	
R841	NRSA63J-102X	MG RESISTOR	1kΩ 1/16W J	
R842	NRSA63J-102X	MG RESISTOR	1kΩ 1/16W J	
R843	NRSA63J-102X	MG RESISTOR	1kΩ 1/16W J	
R844	NRSA63J-102X	MG RESISTOR	1kΩ 1/16W J	
R845	NRSA63J-102X	MG RESISTOR	1kΩ 1/16W J	
R846	NRSA63J-102X	MG RESISTOR	1kΩ 1/16W J	
R847	NRSA63J-102X	MG RESISTOR	1kΩ 1/16W J	
R848	NRSA63J-102X	MG RESISTOR	1kΩ 1/16W J	
R849	NRSA63J-102X	MG RESISTOR	1kΩ 1/16W J	
R851	NRSA63J-102X	MG RESISTOR	1kΩ 1/16W J	
R852	NRSA63J-102X	MG RESISTOR	1kΩ 1/16W J	
R853	NRSA63J-102X	MG RESISTOR	1kΩ 1/16W J	
R854	NRSA63J-102X	MG RESISTOR	1kΩ 1/16W J	
R855	NRSA63J-102X	MG RESISTOR	1kΩ 1/16W J	
R857	NRSA63J-222X	MG RESISTOR	2.2kΩ 1/16W J	
R860	NRSA63J-102X	MG RESISTOR	1kΩ 1/16W J	
R861	NRSA63J-102X	MG RESISTOR	1kΩ 1/16W J	
R862	NRSA63J-102X	MG RESISTOR	1kΩ 1/16W J	
R863	NRSA63J-102X	MG RESISTOR	1kΩ 1/16W J	
R864	NRSA63J-102X	MG RESISTOR	1kΩ 1/16W J	
R865	NRSA63J-102X	MG RESISTOR	1kΩ 1/16W J	
R866	NRSA63J-102X	MG RESISTOR	1kΩ 1/16W J	
R867	NRSA63J-102X	MG RESISTOR	1kΩ 1/16W J	
R868	NRSA63J-102X	MG RESISTOR	1kΩ 1/16W J	
R870	NRSA63J-102X	MG RESISTOR	1kΩ 1/16W J	
R871	NRSA63J-102X	MG RESISTOR	1kΩ 1/16W J	
R872	NRSA63J-102X	MG RESISTOR	1kΩ 1/16W J	
R873	NRSA63J-102X	MG RESISTOR	1kΩ 1/16W J	
R874	NRSA63J-102X	MG RESISTOR	1kΩ 1/16W J	
R875	NRSA63J-102X	MG RESISTOR	1kΩ 1/16W J	
R876	NRSA63J-102X	MG RESISTOR	1kΩ 1/16W J	
R877	NRSA63J-102X	MG RESISTOR	1kΩ 1/16W J	
R881	NRSA63J-222X	MG RESISTOR	2.2kΩ 1/16W J	
R882	NRSA63J-473X	MG RESISTOR	47kΩ 1/16W J	
R883	NRSA63J-102X	MG RESISTOR	1kΩ 1/16W J	
R885	NRSA63J-473X	MG RESISTOR	47kΩ 1/16W J	
R886	NRSA63J-474X	MG RESISTOR	470kΩ 1/16W J	
L891	NQL79GM-470X	COIL	47uH M	
CN801	NNZ0098-002X	CAR CONNECTOR		
CN802	QGF0522F1-07W	CONNECTOR	FFC/FPC (1-7)	
CN871	QGF0534F1-30X	CONNECTOR	FFC/FPC (1-30)	
K471	NRSA63J-0R0X	MG RESISTOR	0Ω 1/16W J	
K481	NRSA63J-0R0X	MG RESISTOR	0Ω 1/16W J	
K483	NRSA63J-0R0X	MG RESISTOR	0Ω 1/16W J	
K491	NRSA63J-0R0X	MG RESISTOR	0Ω 1/16W J	
S441	NSW0124-001X	TACT SW		
S442	NSW0124-001X	TACT SW		
S444	NSW0124-001X	TACT SW		
S445	NSW0124-001X	TACT SW		
S447	NSW0220-001X	TACT SW		
S448	NSW0124-001X	TACT SW		
S449	NSW0124-001X	TACT SW		
S450	NSW0124-001X	TACT SW		
S451	NSW0124-001X	TACT SW		
S452	NSW0124-001X	TACT SW		
S453	NSW0124-001X	TACT SW		
S454	NSW0220-001X	TACT SW		
S455	NSW0124-001X	TACT SW		
S811	NSW0220-001X	TACT SW		
X801	NAX0663-001X	C RESONATOR		

△ Symbol No. Part No. Part Name Description Local

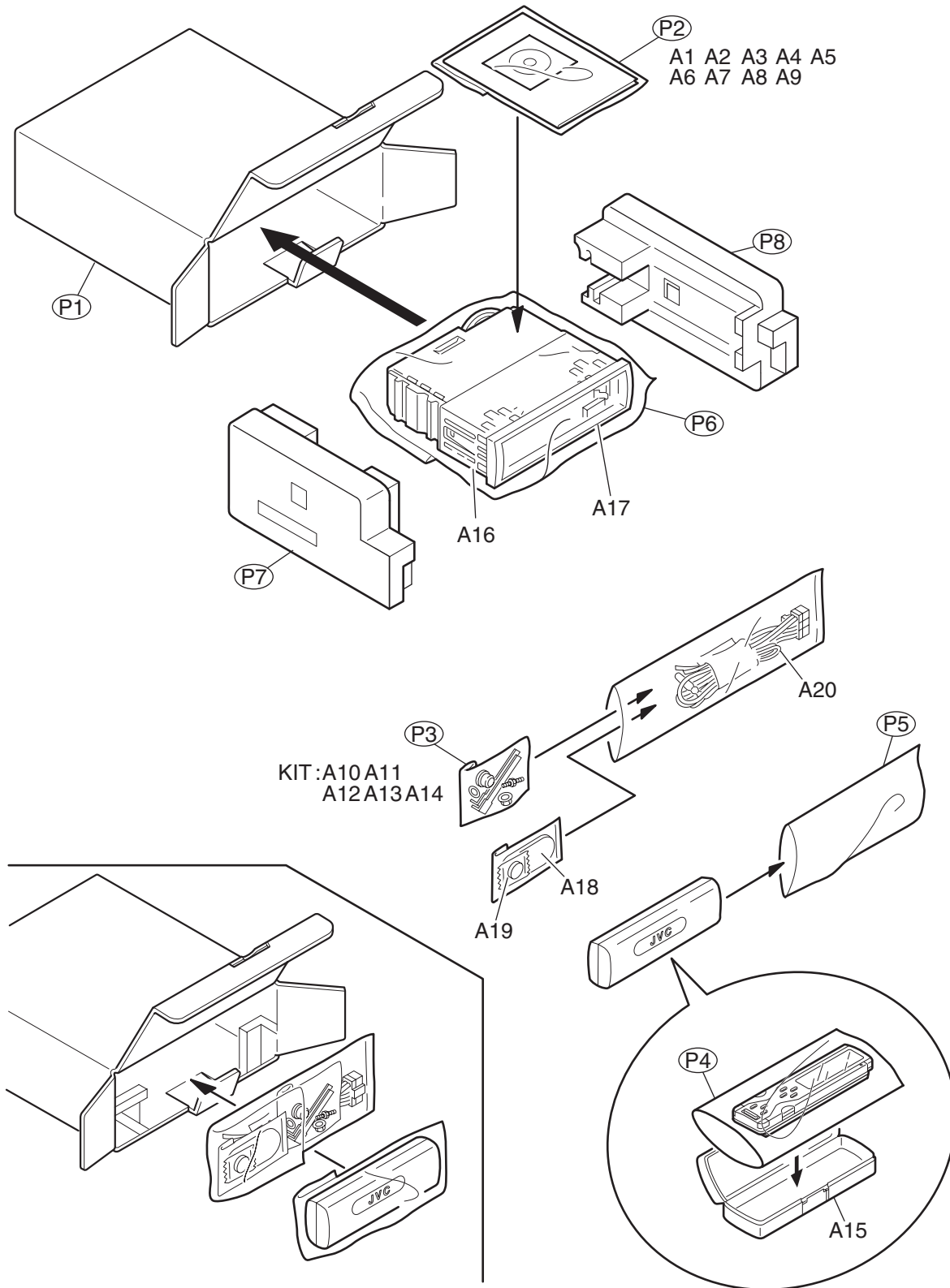
Symbol No.	Part No.	Part Name	Description	Local
IC501	TMP91CW12AF5JP3	IC		
IC502	BR24L01AFV-W-X	IC		
IC503	SN74AHCT126PW-X	IC(DIGITAL)		
IC504	NJU7241F33-X	IC		
IC573	SN74AHCU04PW-X	IC		
IC601	TC94A15F	IC		
IC651	NJU7772F15-X	IC		
IC652	TC94A34FG-002	IC		
IC681	LA6242H-X	IC		
Q501	UN2111-X	TRANSISTOR		
Q502	UN2211-X	TRANSISTOR		
Q573	2SB624/4/-X	TRANSISTOR		
Q574	UN2211-X	TRANSISTOR		
Q601	2SB1132/QR/-W	TRANSISTOR		
Q651	UN2211-X	TRANSISTOR		
Q652	2SB624/4/-X	TRANSISTOR		
Q681	2SB1184/QR/-X	TRANSISTOR		
D506	1SS355-X	SI DIODE		
D682	1SR154-400-X	DIODE		
C501	NCB31HK-103X	C CAPACITOR	0.01uF 50V K	
C502	NCB31HK-223X	C CAPACITOR	0.022uF 50V K	
C503	NEAD0GM-227X	E CAPACITOR	220uF 4V M	
C504	NDC31HJ-220X	C CAPACITOR	22pF 50V J	
C505	NDC31HJ-220X	C CAPACITOR	22pF 50V J	
C506	NCB31HK-103X	C CAPACITOR	0.01uF 50V K	
C507	NCB31HK-223X	C CAPACITOR	0.022uF 50V K	
C508	NCB31HK-103X	C CAPACITOR	0.01uF 50V K	
C509	NCB31HK-223X	C CAPACITOR	0.022uF 50V K	
C510	NCB31HK-103X	C CAPACITOR	0.01uF 50V K	
C511	NCB31CK-104X	C CAPACITOR	0.1uF 16V K	
C512	NEAD0GM-227X	E CAPACITOR	220uF 4V M	
C513	NCB31HK-103X	C CAPACITOR	0.01uF 50V K	
C514	NDC31HJ-102X	C CAPACITOR	1000pF 50V J	
C516	NEAD0GM-227X	E CAPACITOR	220uF 4V M	
C517	NBE20JM-106X	TA E CAPACITOR	10uF 6.3V M	
C551	NCB31HK-103X	C CAPACITOR	0.01uF 50V K	
C571	NDC31HJ-270X	C CAPACITOR	27pF 50V J	
C572	NDC31HJ-270X	C CAPACITOR	27pF 50V J	
C578	NCB31CK-104X	C CAPACITOR	0.1uF 16V K	
C601	NEA70JM-107X	E CAPACITOR	100uF 6.3V M	
C602	NCB31HK-681X	C CAPACITOR	680pF 50V K	
C603	NEA70JM-107X	E CAPACITOR	100uF 6.3V M	
C604	NCB31HK-103X	C CAPACITOR	0.01uF 50V K	
C605	NCB31CK-104X	C CAPACITOR	0.1uF 16V K	
C606	NEA70JM-476X	E CAPACITOR	47uF 6.3V M	
C607	NCB31CK-104X	C CAPACITOR	0.1uF 16V K	
C608	NCB31CK-104X	C CAPACITOR	0.1uF 16V K	
C610	NCB31CK-104X	C CAPACITOR	0.1uF 16V K	
C612	NCB31HK-103X	C CAPACITOR	0.01uF 50V K	
C613	NCB31HK-103X	C CAPACITOR	0.01uF 50V K	
C614	NCB31HK-103X	C CAPACITOR	0.01uF 50V K	
C616	NEA70JM-476X	E CAPACITOR	47uF 6.3V M	
C617	NCB31CK-104X	C CAPACITOR	0.1uF 16V K	
C618	NCB31CK-104X	C CAPACITOR	0.1uF 16V K	
C621	NCB31CK-104X	C CAPACITOR	0.1uF 16V K	
C622	NEA70JM-476X	E CAPACITOR	47uF 6.3V M	
C623	NCS31HJ-470X	C CAPACITOR	47pF 50V J	
C624	NCB31HK-153X	C CAPACITOR	0.015uF 50V K	
C625	NCB31HK-103X	C CAPACITOR	0.01uF 50V K	
C626	NCB31HK-103X	C CAPACITOR	0.01uF 50V K	
C627	NCB31CK-104X	C CAPACITOR	0.1uF 16V K	
C628	NEA70JM-476X	E CAPACITOR	47uF 6.3V M	
C629	NCB31EK-333X	C CAPACITOR	0.033uF 25V K	
C630	NCB31EK-333X	C CAPACITOR	0.033uF 25V K	
C631	NCS31HJ-471X	C CAPACITOR	470pF 50V J	
C632	NCS31HJ-471X	C CAPACITOR	470pF 50V J	
C633	NCB31CK-104X	C CAPACITOR	0.1uF 16V K	
C634	NCB31HK-472X	C CAPACITOR	4700pF 50V K	
C635	NCB31CK-153X	C CAPACITOR	0.015uF 16V K	
C636	NCB31CK-473X	C CAPACITOR	0.047uF 16V K	
C637	NCB31CK-473X	C CAPACITOR	0.047uF 16V K	

△ Symbol No.	Part No.	Part Name	Description	Local	△ Symbol No.	Part No.	Part Name	Description	Local
C638	NCB31HK-103X	C CAPACITOR	0.01uF 50V K		R533	NRSA63J-101X	MG RESISTOR	100Ω 1/16W J	
C639	NEA70JM-476X	E CAPACITOR	47uF 6.3V M		R534	NRSA63J-101X	MG RESISTOR	100Ω 1/16W J	
C640	NCB31HK-103X	C CAPACITOR	0.01uF 50V K		R539	NRSA63J-473X	MG RESISTOR	47kΩ 1/16W J	
C641	NEA70JM-476X	E CAPACITOR	47uF 6.3V M		R540	NRSA63J-473X	MG RESISTOR	47kΩ 1/16W J	
C642	NCS31HJ-101X	C CAPACITOR	100pF 50V J		R541	NRSA63J-101X	MG RESISTOR	100Ω 1/16W J	
C643	NCB31CK-104X	C CAPACITOR	0.1uF 16V K		R542	NRSA63J-103X	MG RESISTOR	10kΩ 1/16W J	
C644	NCB31AK-334X	C CAPACITOR	0.33uF 10V K		R543	NRSA63J-101X	MG RESISTOR	100Ω 1/16W J	
C645	NEA70JM-476X	E CAPACITOR	47uF 6.3V M		R544	NRSA63J-101X	MG RESISTOR	100Ω 1/16W J	
C646	NCB31CK-104X	C CAPACITOR	0.1uF 16V K		R545	NRSA63J-103X	MG RESISTOR	10kΩ 1/16W J	
C647	NCS31HJ-680X	C CAPACITOR	68pF 50V J		R546	NRSA63J-271X	MG RESISTOR	270Ω 1/16W J	
C648	NBE20JM-106X	TA E CAPACITOR	10uF 6.3V M		R547	NRSA63J-271X	MG RESISTOR	270Ω 1/16W J	
C649	NCB31HK-562X	C CAPACITOR	5600pF 50V K		R548	NRSA63D-822X	MG RESISTOR	8.2kΩ 1/16W D	
C650	NCB31AK-224X	C CAPACITOR	0.22uF 10V K		R549	NRSA63J-472X	MG RESISTOR	4.7kΩ 1/16W J	
C651	NEA70JM-476X	E CAPACITOR	47uF 6.3V M		R550	NRSA63J-472X	MG RESISTOR	4.7kΩ 1/16W J	
C652	NCB31HK-103X	C CAPACITOR	0.01uF 50V K		R551	NRSA63J-104X	MG RESISTOR	100kΩ 1/16W J	
C653	NEA70JM-476X	E CAPACITOR	47uF 6.3V M		R552	NRSA63J-104X	MG RESISTOR	100kΩ 1/16W J	
C654	NCB31CK-104X	C CAPACITOR	0.1uF 16V K		R553	NRSA63J-183X	MG RESISTOR	18kΩ 1/16W J	
C655	NCB31HK-103X	C CAPACITOR	0.01uF 50V K		R554	NRSA63J-333X	MG RESISTOR	33kΩ 1/16W J	
C656	NCB31CK-104X	C CAPACITOR	0.1uF 16V K		R555	NRSA63J-101X	MG RESISTOR	100Ω 1/16W J	
C657	NCB31CK-473X	C CAPACITOR	0.047uF 16V K		R556	NRSA63J-0R0X	MG RESISTOR	0Ω 1/16W J	
C659	NCB31CK-104X	C CAPACITOR	0.1uF 16V K		R557	NRSA63J-104X	MG RESISTOR	100kΩ 1/16W J	
C660	NCS31HJ-101X	C CAPACITOR	100pF 50V J		R558	NRSA63J-104X	MG RESISTOR	100kΩ 1/16W J	
C661	NCB31HK-103X	C CAPACITOR	0.01uF 50V K		R559	NRSA63J-0R0X	MG RESISTOR	0Ω 1/16W J	
C662	NCS31HJ-101X	C CAPACITOR	100pF 50V J		R560	NRSA63J-101X	MG RESISTOR	100Ω 1/16W J	
C663	NCB31CK-104X	C CAPACITOR	0.1uF 16V K		R561	NRSA63J-104X	MG RESISTOR	100kΩ 1/16W J	
C664	NCB31HK-222X	C CAPACITOR	2200pF 50V K		R562	NRSA63J-392X	MG RESISTOR	3.9kΩ 1/16W J	
C665	NCB31CK-104X	C CAPACITOR	0.1uF 16V K		R563	NRSA63J-682X	MG RESISTOR	6.8kΩ 1/16W J	
C666	NCS31HJ-101X	C CAPACITOR	100pF 50V J		R564	NRSA63J-101X	MG RESISTOR	100Ω 1/16W J	
C667	NCB31HK-103X	C CAPACITOR	0.01uF 50V K		R565	NRSA63J-101X	MG RESISTOR	100Ω 1/16W J	
C668	NEA70JM-476X	E CAPACITOR	47uF 6.3V M		R566	NRSA63J-101X	MG RESISTOR	100Ω 1/16W J	
C669	NCB31HK-103X	C CAPACITOR	0.01uF 50V K		R567	NRSA63J-473X	MG RESISTOR	47kΩ 1/16W J	
C671	NBE21AM-106X	TA E CAPACITOR	10uF 10V M		R568	NRSA63J-102X	MG RESISTOR	1kΩ 1/16W J	
C672	NCB31CK-104X	C CAPACITOR	0.1uF 16V K		R569	NRSA63J-102X	MG RESISTOR	1kΩ 1/16W J	
C675	NBE20JM-106X	TA E CAPACITOR	10uF 6.3V M		R570	NRSA63J-102X	MG RESISTOR	1kΩ 1/16W J	
C676	NCB31CK-473X	C CAPACITOR	0.047uF 16V K		R571	NRSA63J-473X	MG RESISTOR	47kΩ 1/16W J	
C677	NCS31HJ-471X	C CAPACITOR	470pF 50V J		R575	NRSA63J-470X	MG RESISTOR	47Ω 1/16W J	
C678	NCS31HJ-471X	C CAPACITOR	470pF 50V J		R576	NRSA63J-470X	MG RESISTOR	47Ω 1/16W J	
C682	NEA71EM-475X	E CAPACITOR	4.7uF 25V M		R577	NRSA63J-101X	MG RESISTOR	100Ω 1/16W J	
C683	NCB31CK-104X	C CAPACITOR	0.1uF 16V K		R578	NRSA63J-473X	MG RESISTOR	47kΩ 1/16W J	
C684	NEA71CM-476X	E CAPACITOR	47uF 16V M		R579	NRSA63J-222X	MG RESISTOR	2.2kΩ 1/16W J	
C685	NCB31CK-473X	C CAPACITOR	0.047uF 16V K		R590	NRSA63J-0R0X	MG RESISTOR	0Ω 1/16W J	
C686	NCB31CK-473X	C CAPACITOR	0.047uF 16V K		R593	NRSA63J-0R0X	MG RESISTOR	0Ω 1/16W J	
C687	NCB31CK-473X	C CAPACITOR	0.047uF 16V K		R594	NRSA63J-0R0X	MG RESISTOR	0Ω 1/16W J	
C688	NCB31CK-473X	C CAPACITOR	0.047uF 16V K		R596	NRSA63J-102X	MG RESISTOR	1kΩ 1/16W J	
C689	NEA71CM-476X	E CAPACITOR	47uF 16V M		R597	NRSA63J-225X	MG RESISTOR	2.2MΩ 1/16W J	
C690	NBE20JM-106X	TA E CAPACITOR	10uF 6.3V M		R598	NRSA63J-102X	MG RESISTOR	1kΩ 1/16W J	
C693	NEA71CM-476X	E CAPACITOR	47uF 16V M		R599	NRSA63J-102X	MG RESISTOR	1kΩ 1/16W J	
R501	NRSA63J-102X	MG RESISTOR	1kΩ 1/16W J		R601	NRSA63J-0R0X	MG RESISTOR	0Ω 1/16W J	
R502	NRSA63J-102X	MG RESISTOR	1kΩ 1/16W J		R602	NRSA63J-0R0X	MG RESISTOR	0Ω 1/16W J	
R503	NRSA63J-102X	MG RESISTOR	1kΩ 1/16W J		R603	NRSA63D-183X	MG RESISTOR	18kΩ 1/16W D	
R504	NRSA63J-101X	MG RESISTOR	100Ω 1/16W J		R604	NRSA63D-183X	MG RESISTOR	18kΩ 1/16W D	
R505	NRSA63J-101X	MG RESISTOR	100Ω 1/16W J		R605	NRSA63J-220X	MG RESISTOR	22Ω 1/16W J	
R506	NRSA63J-473X	MG RESISTOR	47kΩ 1/16W J		R606	NRSA63J-220X	MG RESISTOR	22Ω 1/16W J	
R507	NRSA63J-473X	MG RESISTOR	47kΩ 1/16W J		R609	NRSA63J-473X	MG RESISTOR	47kΩ 1/16W J	
R508	NRSA63J-473X	MG RESISTOR	47kΩ 1/16W J		R611	NRSA63J-473X	MG RESISTOR	47kΩ 1/16W J	
R509	NRSA63J-473X	MG RESISTOR	47kΩ 1/16W J		R612	NRSA63J-0R0X	MG RESISTOR	0Ω 1/16W J	
R510	NRSA63J-101X	MG RESISTOR	100Ω 1/16W J		R615	NRSA63J-151X	MG RESISTOR	150Ω 1/16W J	
R511	NRSA63J-102X	MG RESISTOR	1kΩ 1/16W J		R616	NRSA63J-103X	MG RESISTOR	10kΩ 1/16W J	
R512	NRSA63J-473X	MG RESISTOR	47kΩ 1/16W J		R617	NRSA63J-473X	MG RESISTOR	47kΩ 1/16W J	
R513	NRSA63J-102X	MG RESISTOR	1kΩ 1/16W J		R621	NRSA63J-470X	MG RESISTOR	47Ω 1/16W J	
R514	NRSA63J-473X	MG RESISTOR	47kΩ 1/16W J		R622	NRSA63J-470X	MG RESISTOR	47Ω 1/16W J	
R515	NRSA63J-473X	MG RESISTOR	47kΩ 1/16W J		R623	NRSA63J-470X	MG RESISTOR	47Ω 1/16W J	
R516	NRSA63J-102X	MG RESISTOR	1kΩ 1/16W J		R624	NRSA63J-562X	MG RESISTOR	5.6kΩ 1/16W J	
R517	NRSA63J-101X	MG RESISTOR	100Ω 1/16W J		R625	NRSA63J-473X	MG RESISTOR	47kΩ 1/16W J	
R518	NRSA63J-101X	MG RESISTOR	100Ω 1/16W J		R626	NRSA63J-474X	MG RESISTOR	470kΩ 1/16W J	
R519	NRSA63J-101X	MG RESISTOR	100Ω 1/16W J		R627	NRSA63J-183X	MG RESISTOR	18kΩ 1/16W J	
R520	NRSA63J-101X	MG RESISTOR	100Ω 1/16W J		R628	NRSA63J-225X	MG RESISTOR	2.2MΩ 1/16W J	
R521	NRSA63J-101X	MG RESISTOR	100Ω 1/16W J		R629	NRSA63J-223X	MG RESISTOR	22kΩ 1/16W J	
R522	NRSA63J-101X	MG RESISTOR	100Ω 1/16W J		R630	NRSA63J-101X	MG RESISTOR	100Ω 1/16W J	
R523	NRSA63J-101X	MG RESISTOR	100Ω 1/16W J		R631	NRSA63J-103X	MG RESISTOR	10kΩ 1/16W J	
R524	NRSA63J-101X	MG RESISTOR	100Ω 1/16W J		R632	NRSA63J-473X	MG RESISTOR	47kΩ 1/16W J	
R525	NRSA63J-104X	MG RESISTOR	100kΩ 1/16W J		R635	NRSA63J-101X	MG RESISTOR	100Ω 1/16W J	
R526	NRSA63J-473X	MG RESISTOR	47kΩ 1/16W J		R636	NRSA63J-101X	MG RESISTOR	100Ω 1/16W J	
R527	NRSA63J-473X	MG RESISTOR	47kΩ 1/16W J		R637	NRSA63J-105X	MG RESISTOR	1MΩ 1/16W J	
R530	NRSA63J-473X	MG RESISTOR	47kΩ 1/16W J		R638	NRSA63J-472X	MG RESISTOR	4.7kΩ 1/16W J	
R531	NRSA63J-473X	MG RESISTOR	47kΩ 1/16W J		R639	NRSA63J-472X	MG RESISTOR	4.7kΩ 1/16W J	
R532	NRSA63J-473X	MG RESISTOR	47kΩ 1/16W J		R640	NRSA63J-472X	MG RESISTOR	4.7kΩ 1/16W J	
					R641	NRSA63J-472X	MG RESISTOR	4.7kΩ 1/16W J	

△ Symbol No.	Part No.	Part Name	Description	Local
R642	NRSA63J-103X	MG RESISTOR	10kΩ 1/16W J	
R643	NRSA63J-332X	MG RESISTOR	3.3kΩ 1/16W J	
R651	NRSA63J-104X	MG RESISTOR	100kΩ 1/16W J	
R653	NRSA63J-0R0X	MG RESISTOR	0Ω 1/16W J	
R654	NRSA63J-470X	MG RESISTOR	47Ω 1/16W J	
R655	NRSA63J-0R0X	MG RESISTOR	0Ω 1/16W J	
R656	NRSA63J-222X	MG RESISTOR	2.2kΩ 1/16W J	
R657	NRSA63J-473X	MG RESISTOR	47kΩ 1/16W J	
R668	NRSA63J-470X	MG RESISTOR	47Ω 1/16W J	
R675	NRSA63J-221X	MG RESISTOR	220Ω 1/16W J	
R678	NRSA63J-103X	MG RESISTOR	10kΩ 1/16W J	
R680	NRSA63J-243X	MG RESISTOR	24kΩ 1/16W J	
R681	NRSA63J-682X	MG RESISTOR	6.8kΩ 1/16W J	
R682	NRSA63J-822X	MG RESISTOR	8.2kΩ 1/16W J	
R683	NRSA63J-472X	MG RESISTOR	4.7kΩ 1/16W J	
R684	NRSA63J-0R0X	MG RESISTOR	0Ω 1/16W J	
R685	NRSA63J-0R0X	MG RESISTOR	0Ω 1/16W J	
R686	NRSA63J-0R0X	MG RESISTOR	0Ω 1/16W J	
R687	NRSA63J-223X	MG RESISTOR	22kΩ 1/16W J	
R688	NRSA63D-163X	MG RESISTOR	16kΩ 1/16W D	
R689	NRSA63D-103X	MG RESISTOR	10kΩ 1/16W D	
R693	NRSA63J-0R0X	MG RESISTOR	0Ω 1/16W J	
L501	NQL114K-470X	INDUCITOR	47uH K	
L502	NQL114K-470X	INDUCITOR	47uH K	
L621	NQL114K-470X	INDUCITOR	47uH K	
L622	NQL114K-470X	INDUCITOR	47uH K	
L623	NQL114K-470X	INDUCITOR	47uH K	
L624	NQL114K-470X	INDUCITOR	47uH K	
L651	NQL114K-470X	INDUCITOR	47uH K	
L652	NQL114K-470X	INDUCITOR	47uH K	
L653	NQL114K-470X	INDUCITOR	47uH K	
CN503	QGB2027L5-20X	CONNECTOR	B-B (1-20)	
CN601	QGF1006F2-15W	CONNECTOR	FFC/FPC (1-15)	
CN602	QGF1038F1-05X	CONNECTOR	FFC/FPC (1-5)	
SW4	NSW0219-001X	PUSH SWITCH		
SW5	NSW0219-001X	PUSH SWITCH		
TH501	NAD0028-103X	N THERMISTOR	10kΩ	
X501	NAX0385-001X	CRYSTAL	24.576MHz	
X571	NAX0375-001X	CRYSTAL	16.9344MHz	

Packing materials and accessories parts list

Block No. M 3 M M



Packing and Accessories

Block No. [M][3][M][M]

△ Symbol No.	Part No.	Part Name	Description	Local
A 1	LVT1160-001A	INST BOOK	ENG CHI(TAIWAN) THA ARA	
A 2	LVT1160-002A	INST BOOK	PER	
A 3	LVT1160-003A	INSTALL MANUAL		
A 4	LVT1160-004A	INSTALL MANUAL		
A 5	GET0213-002A	CAUTION SHEET		
A 6	LVT1161-002A	DEMO MODE SHEET		
A 7	LVT1120-003A	MP3 GUIDE		
A 8	LVT1157-001A	IMAGE CONV.SHEE		
A 9	QAM0555-001	CD ROM		
A 10	VKZ4027-202	PLUG NUT		
A 11	VKH4871-001SS	MOUNT BOLT		
A 12	VKZ4328-001	LOCK NUT		
A 13	WNS5000Z	WASHER		
A 14	GE40130-002A	HOOK	(x2)	
A 15	FSJB3002-00F	HARD CASE ASSY		
A 16	GE20137-003A	MOUNTING SLEEVE		
A 17	LV21648-004A	TRIM PLATE		
A 18	RM-RK300	REMOCON		
A 19	-----	BATTERY		
A 20	QAM0567-001	CAR CABLE		
KIT	SRW-200J	SCREW PARTS KIT	A10 A11 A12 A13 A14	
P 1	LV35285-003A	CARTON		
P 2	FSPG4002-001	POLY BAG		
P 3	QPA00801205	POLY BAG	8cm x 12cm	
P 4	QPC01002515	POLY BAG	10cm x 25cm	
P 5	QPA01003003	POLY BAG	10cm x 30cm	
P 6	QPC03004315P	POLY BAG	30cm x 43cm	
P 7	LV10967-002A	CUSHION(L)		
P 8	LV10968-002A	CUSHION(R)		